

Katalog náhradních dílů pro
průmyslový šicí stroj

GARUDAN[®]

CT(D)9000 serie



ANITA B s.r.o.

Hliníky 2068

680 01 Boskovice

Czech Republic

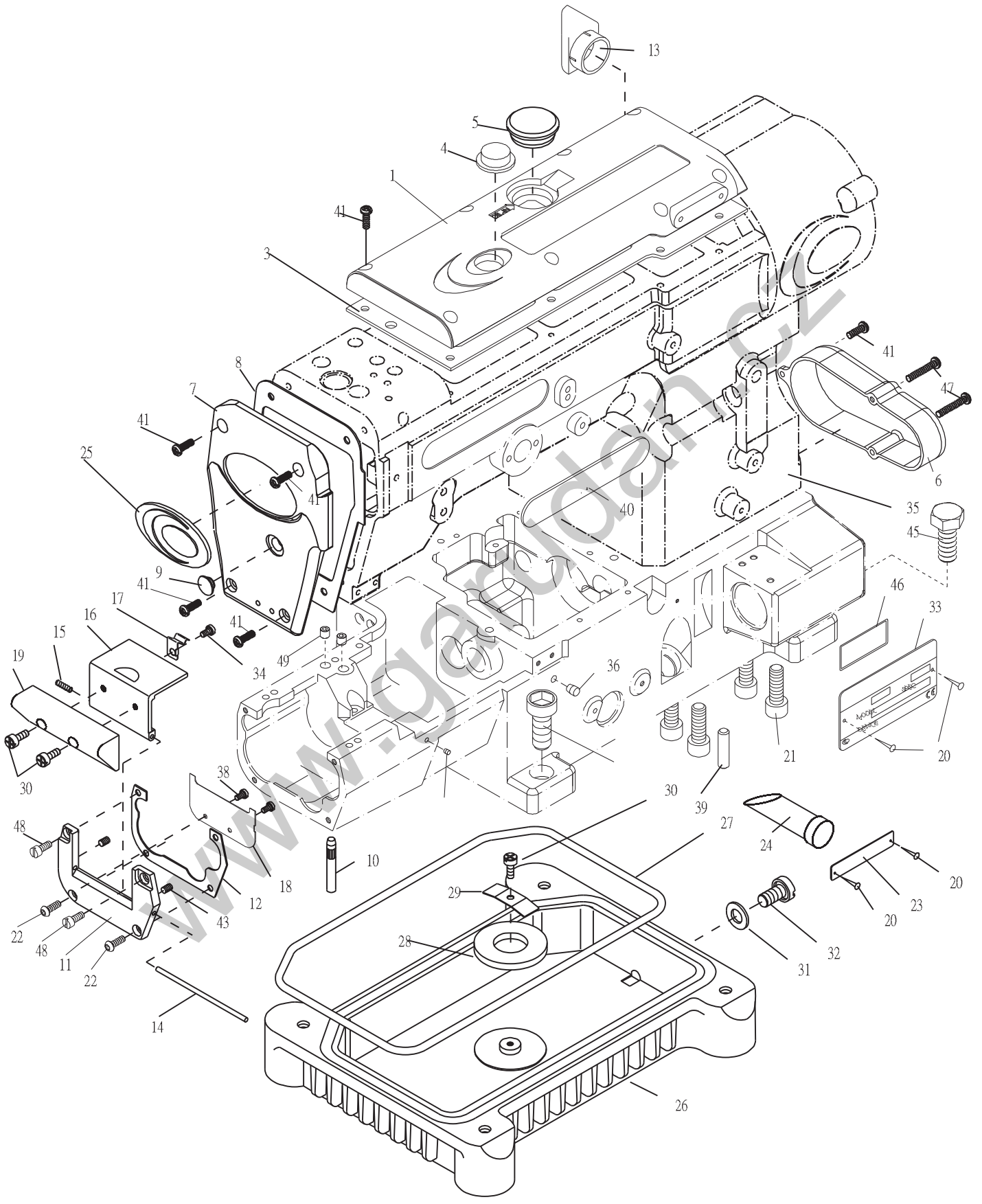
fax: +420 516 452 751

tel: +420 516 454 774,

+420 516 453 496

e-mail: info@anita.cz

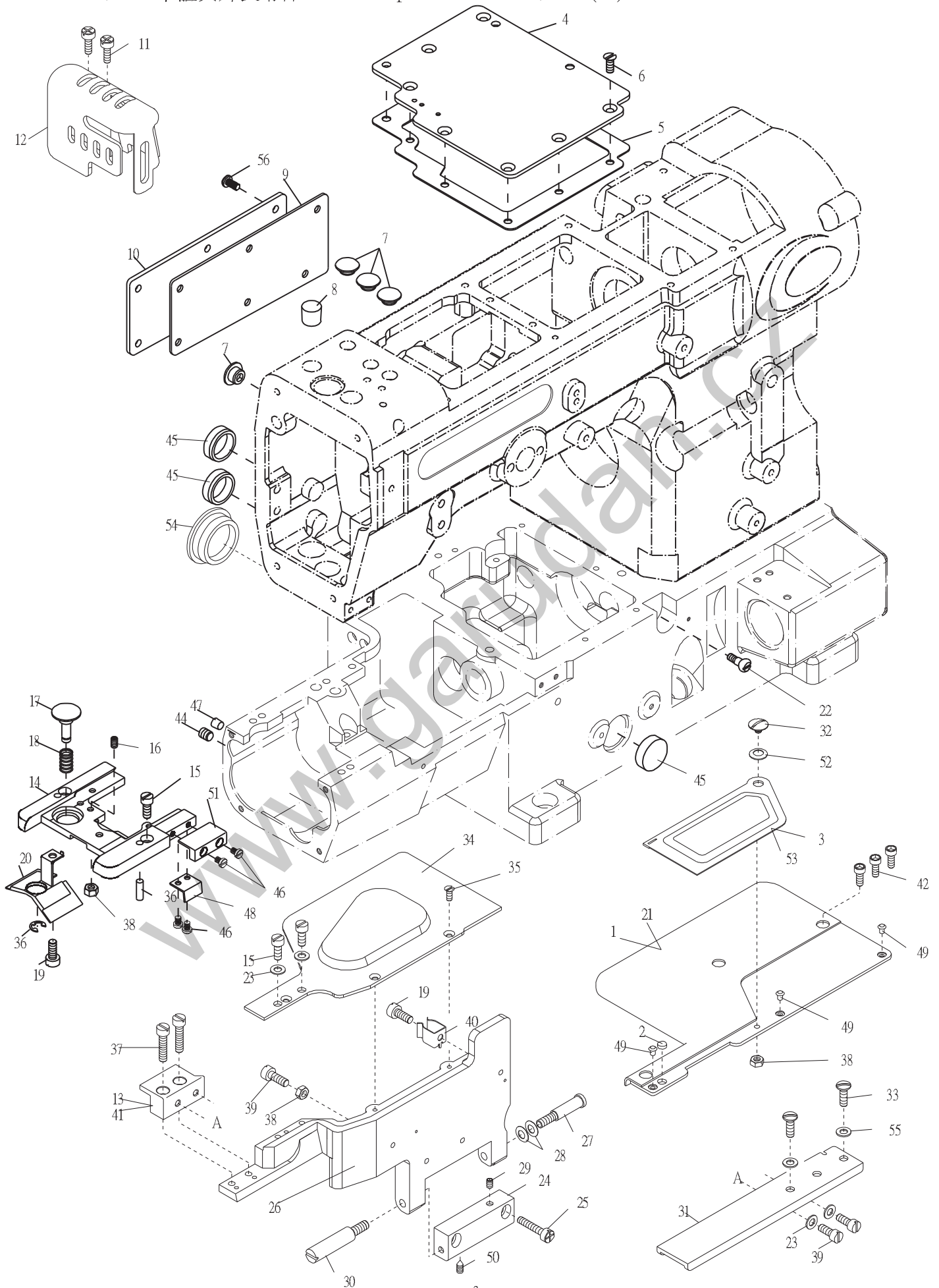
1. CTD9000 本體與外裝零件 Frame Components For CTD9000 (一)



1. CTD9000 本體與外裝零件Frame Components For CTD9000 (一)

序號 Ref.No.	圖號 Parts No.	名稱 Description	單位用量 Amt .Req.
1	22400001011	上軸蓋 Top Cover -----	1
2	-----	-----	-
3	22400001031	油封 Gasket -----	1
4	22400001041	油鏡 Oil Window -----	1
5	22200002552	孔塞 Plug -----	1
6	2240000106	側蓋 Side Cover -----	1
7	22400001071	針棒蓋 Needle Cover -----	1
8	2240000108	油封 Gasket -----	1
9	22000001091	孔塞 Plug -----	1
10	2200000110	下座腳樁 Supporting Bar -----	4
11	2220000111	固定座 Bucket -----	1
12	2220000112	油封 Gasket -----	1
13	22400001131	導風管 Guid Pipe-----	1
14	2220000114	樞銷 Hinge Pin -----	1
15	2220000115	彈簧 Spring -----	1
16	2220000116	下軸側蓋 Side Cover -----	1
17	2220000117	夾簧 Latch Spring -----	1
18	22200001181	檔片 Defender -----	1
19	2220000119	下軸側蓋 Side Cover -----	1
20	66620	鉚釘 Rivet -----	4
21	8MM10603016A	螺絲 Serew (CT0138 M10-1.5*30) -----	4
22	8MP85241006A	螺絲 Serew (M3.5-0.6*10) -----	2
23	66480-14	機器號碼牌 Machine No. Plate -----	1
24	2220000124	油面鏡 Oil Sign Gauge-----	1
25	66484-11	銘板 Plate -----	1
26	2220000126	油盤 Oil Reservoir -----	1
27	2200000127	油封 Gasket -----	1
28	2200000128	磁鐵 Magnet -----	1
29	2200000129	壓板 Holder -----	1
30	8MC04280807D	螺絲 Screw (CT0130 M4-0.7*8) -----	3
31	2100000244	油封 Seal -----	1
32	8SM95281017A	螺樁 Stud (SH0243 3/8"-28*10) -----	1
33	66485-1	車型銘板 Model Plate -----	1
34	8MK04280507A	螺絲 Screw (WPC0106 M4-0.7*5) -----	1
35	2240000135	車頭 Frame Unit -----	1
36	2200000136	孔塞 Plug -----	1
37	2200000137	孔塞 Plug -----	1
38	8MB03200405A	螺絲 Screw (FT0548 M3-0.5*4) -----	2
39	2200000139	定位銷 Knock Pin -----	2
40	66485-9	上車頭銘板 Plate -----	1
41	8MC04281207D	螺絲 Screw (CT0102 M4-0.7*12) -----	13
42	8MM08502013A	螺絲 Screw (CT0106 M8-1.25*20) -----	3
43	8MN03200300A	螺絲 Screw (CT0115 M3-0.5*3) -----	2
44	-----	-----	-
45	8MK08502013A	螺絲 Screw (C90140 M8-1.25*20) -----	1
46	66477-4	重量貼紙 Weight Paster -----	1
47	8MC04283307D	螺絲 Screw (C80147 M4-0.7*33) -----	2
48	8MB85241006K	螺絲 Screw (CT0621 M3.5-0.6*10) -----	2
49	8MN06400600A	螺絲 Screw (CT0918 M6-1*6) -----	2

2. CTD9000 本體與外裝零件 Frame Components For CTD9000 (二)



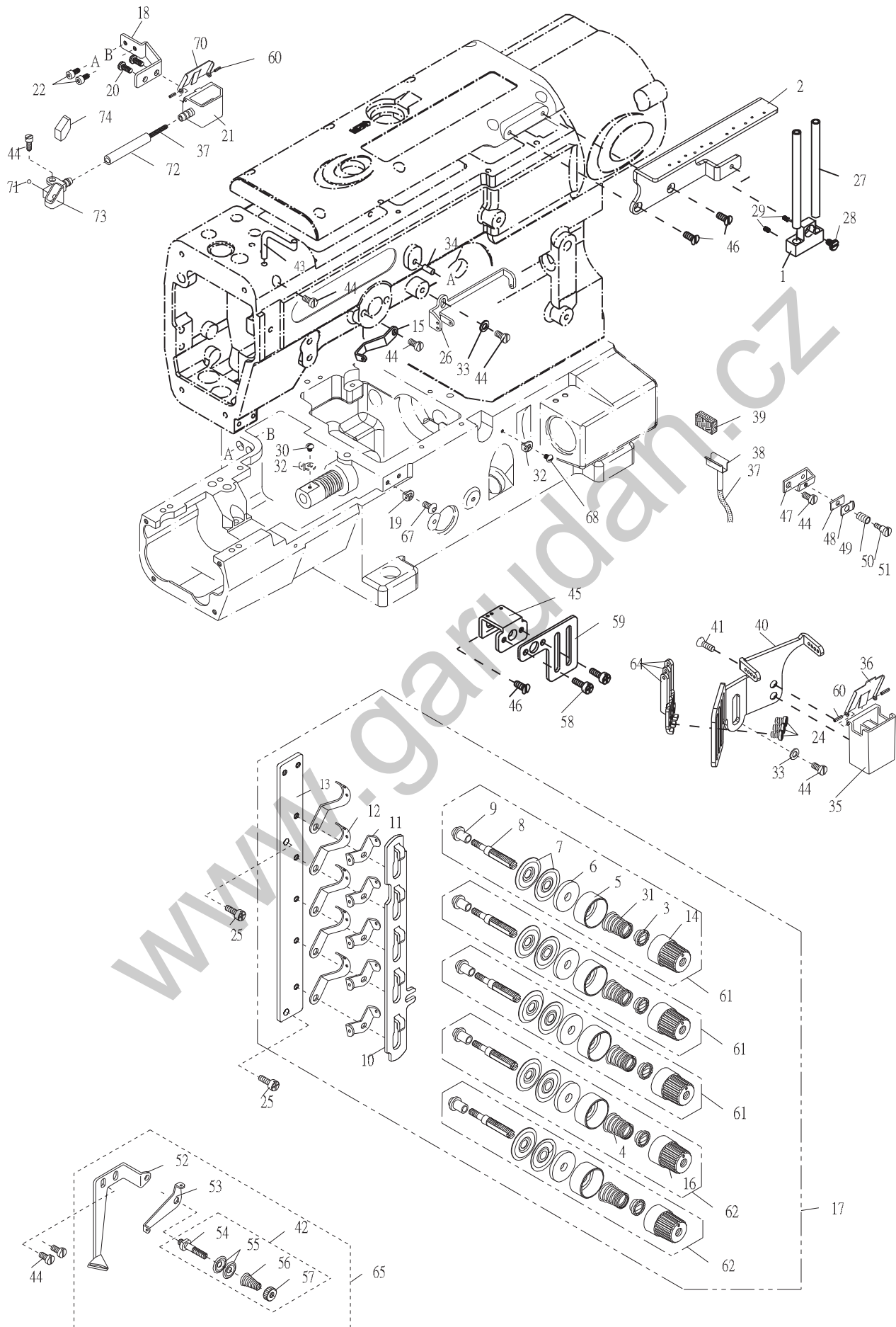
2. CTD9000 本體與外裝零件Frame Components For CTD9000 (二)

序號 Ref.No.	圖號 Parts No.	名稱 Description	單位用量 Amt .Req.
*1	2270000201	下軸外蓋 Cloth Plate -----	1
2	2270000202	磁鐵 Magnet -----	1
*3	2270000203	防塵蓋 Dust Cover -----	1
4	2270000204	下軸內蓋 Lower Shaft Cover -----	1
5	2220000205	防油墊片 Gasket -----	1
6	8ME04280708A	螺絲Screw (CT0206 M4-0.7*7) -----	7
7	22000001091	孔塞 Plug -----	4
8	22000002081	孔塞 Plug -----	1
9	2200000209	油封 Gasket -----	1
10	2200000210	上軸背蓋 Rear Cover -----	1
11	8MC04280807D	螺絲Screw (CT0130 M4-0.7*8)-----	2
12	2270000212	針棒護蓋 Needle Bar Protector -----	1
*13	2270000213	下座前蓋活動塊 Movable Block -----	1
14	2220000214	針板座 Needle Plate Seat -----	1
15	8MB04280807K	螺絲 Screw (CT0215 M4-0.7*8) -----	4
16	8MN04281000A	螺絲 Screw (CT0216 M4-0.7*10) -----	1
17	2220000217	按鈕 Push Button -----	1
18	2200000218	彈簧 Spring -----	1
19	8MC04280507D	螺絲 Screw (CT0122 M4-0.7*5) -----	2
20	2220000220	油封 Oil Defender -----	1
**21	2270000221	下軸外蓋 Cloth Plate -----	1
22	8MD04281408C	螺樁 Stud (CT0222 M4-0.7*5) -----	1
23	2100000223	墊圈 Washer -----	4
24	2200000224	絞鏈 Hinge -----	1
25	8MC04281407D	螺絲 Screw (CT0225 M4-0.7*14) -----	2
26	2270000226	下座前蓋 Front Cover -----	1
27	8MB04283809E	螺樁Stud (CT0227 M4-0.7*38) -----	1
28	2200000228	盂形墊圈 Disk Washer -----	2
29	8MN04280400A	螺絲 Screw (CT0229 M4-0.7*4) -----	1
30	8MB04280605M	螺樁 Stud (CT0230 M4-0.7*6) -----	1
31	2200000231	輔助緣板 Auxiliary Cloth Plate -----	1
32	8MC04280512B	螺絲 Screw (C90232 M4-0.7*5) -----	1
33	8MB05321008K	螺絲 Screw (CT0233 M5-0.8*10) -----	2
34	2270000234	護線蓋 Cloth Plate -----	1
35	8ME03200606A	螺絲 Screw (CT0235 M3-0.5*6) -----	3
36	90ST0410	定位銷 Knock Pin -----	2
37	8MC04281407D	螺絲 Screw (CT0225 M4-0.7*14) -----	2
38	8MA04280307A	螺帽 Nut (CT0238 M4-0.7*3) -----	3
39	8MB04281207K	螺絲 Screw (CT0239 M4-0.7*12) -----	3
40	2200000121	夾簧 Latch Spring -----	1
**41	2270000241	下座前蓋活動塊 Movable Block -----	1
42	8MM04281207A	螺絲 Screw (CT0202 M4-0.7*12) -----	3
43	90ER040	E形扣環 E-Ring -----	1
44	8MN06400600A	螺絲 Screw (CT0244 M6-1*6) -----	2
45	22000002451	孔塞 Plug -----	3
46	8MB03200405A	螺絲 Screw (FT0548 M3-0.5*4) -----	4
47	22000002471	孔塞 Plug -----	2
48	2200000250	擋片 Defender -----	1
49	22100001191	減震橡膠 Rubber Cushion -----	3
50	8MN04280500C	螺絲 Screw (FT1222 M4-0.7*5) -----	1
51	2220000257	擋片 Defender -----	1
52	2200000124	盂形墊圈 Disc Washer -----	1
**53	2270000253	防塵蓋 Dust Cover -----	1
54	22000002461	孔塞 Plug -----	1
55	2200001025	墊圈 Washer -----	2
56	8MC04281007D	螺絲 Screw (CT0113 M4-0.7*10) -----	6

* : 40M,48M,56M用 For 40M, 48M,56M

** : 64M 用For 64M

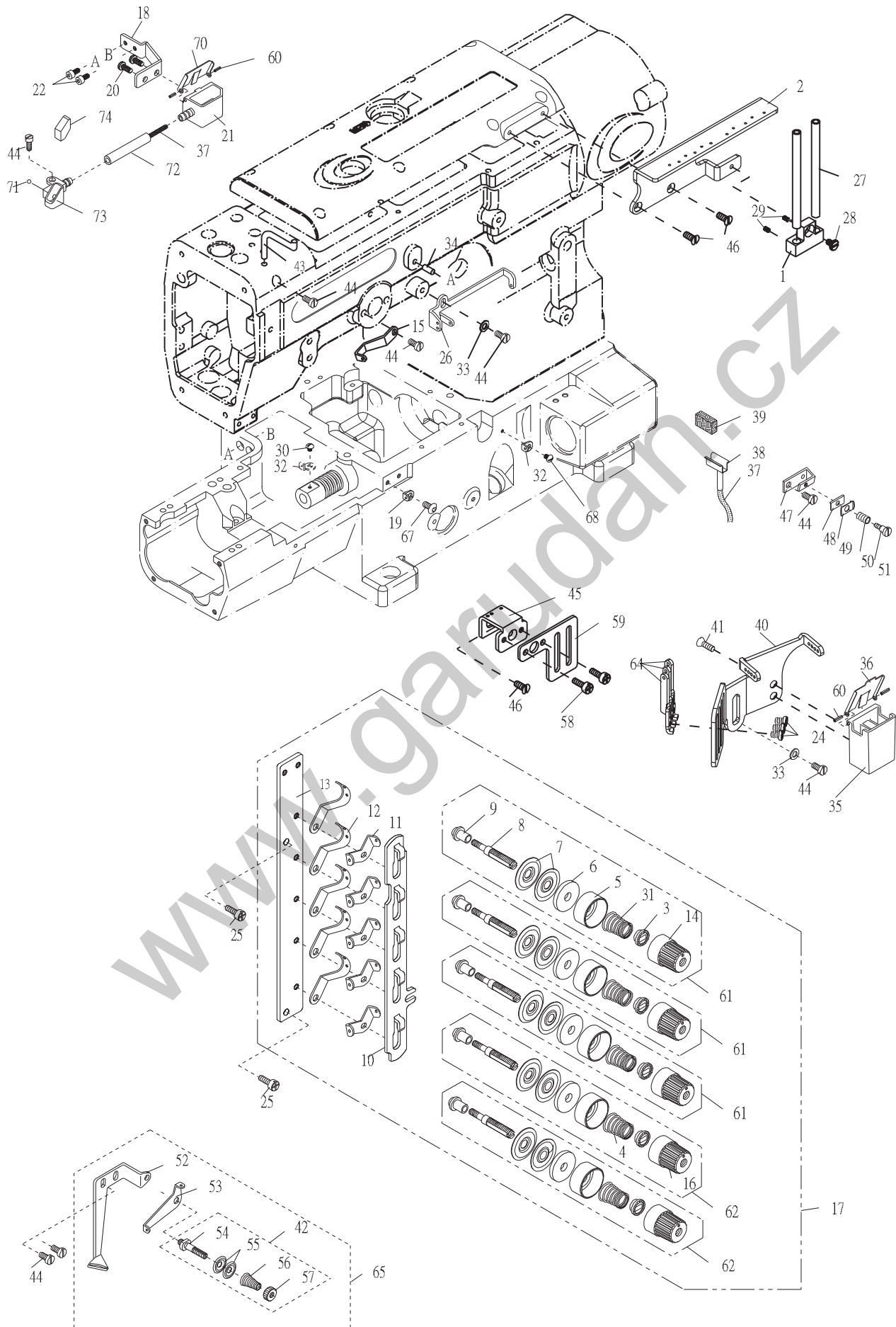
3. CTD9000 導針與張力調整零件 Thread Guide And Tension Components For CTD9000



3. CTD9000 導針與張力調整零件 Thread Guide And Tension Components For CTD9000

序號 Ref.No.	圖號 Parts No.	名稱 Description	單位用量 Amt .Req.
1	2240000301	導線座 Thread Guide Holder -----	1
2	22400003021	導線座 Thread Guide Holder -----	1
3	2200000303	套管 Bushing -----	5
4	2100041131	彈簧 Spring (Yellow) (SH1131)-----	2
5	2200000305	彈簧座 Spring Seat -----	5
6	2100001127	羊毛氈 Felt -----	5
7	2100001126	張力控制盤 Tension Disc -----	10
8	22000003081	螺椿 Stud -----	5
9	22000003091	隔環 Spacer -----	5
10	4UTB000419	鬆線滑板 Release Wedge -----	1
11	2200000311	導線 Thread Guide -----	5
12	2200000312	導線 Thread Guide -----	5
13	4UTB000420	張力控制組座 Tension Post Support -----	1
14	2100001121	張力調整螺帽 Tension Nut (Red) (SH1121)-----	3
15	2210000317	導線 Thread Guide -----	1
16	2100001121A	張力調整螺帽 Tension Nut (Yellow) (Sh1121)-----	2
17	224A0000317	鬆線組 Therad Tension Mechanism -----	1
18	2270000318	支架 Knife Holder Bracket -----	1
19	2270000319	導線 Thread Guide -----	1
20	8TC85520806A	螺絲 Screw -----	2
21	22000007261	冷卻油槽 Cooler Oil Tank -----	1
22	8MM04280807A	螺絲 Screw (MT0124 M4-0.7*8) -----	2
23	-----	-----	-
24	8MB03200405A	螺絲 Screw (FT0548 M3-0.5*4) -----	3
25	8MC04280807D	螺絲 Screw (CT0130 M4-0.7*8) -----	2
26	2210000326	導線 Thread Guide -----	1
27	2200000327	導線管 Thread Guide Pipe -----	2
28	8MB04280608A	螺絲 Screw (UTB0130 M4-0.7*6) -----	1
29	8MN03200300A	螺絲 Screw (CT0115 M3-0.5*3) -----	2
30	8MD03200306A	螺絲 Screw (CT0242 M3-0.5*3) -----	1
31	2100001123	彈簧 Spring (Red) (Sh1123)-----	3
32	2200001008	導線 Thread Guide -----	2
33	2100000223	墊圈 Washer -----	2
34	90ST0410	定位銷 Knock Pin -----	1
35	22000003351	油杯 Cooler Oil Tank -----	1
36	2200000336	油杯蓋 Cooler Oil Tank Cover -----	1
37	66800	油線 Oil Wick -----	2
38	2200000338	線夾 Wick Clamp -----	1
39	2200000339	羊毛氈 Felt -----	1
40	2270000340	導線 Thread Guide -----	1
41	8TE03440806A	螺絲 Screw -----	2
42	227A0000342	張力控制組 Thread Retainer Asm -----	1
43	22000003431	導線 Thread Guide -----	1
44	8MB04280807K	螺絲 Screw (CT0215 M4-0.7*8) -----	8
45	2200000345	導線 Thread Guide -----	1
46	8ME04280708A	螺絲Screw (CT0206 M4-0.7*7) -----	3
47	2200000347	張力控制組座 Thread Retainer Support -----	1
48	2200000348	針線控制板 Thread Guide Plate -----	1
49	2200000349	針線控制壓板 Tension Control plate -----	1
50	22000003501	彈簧 Spring -----	1

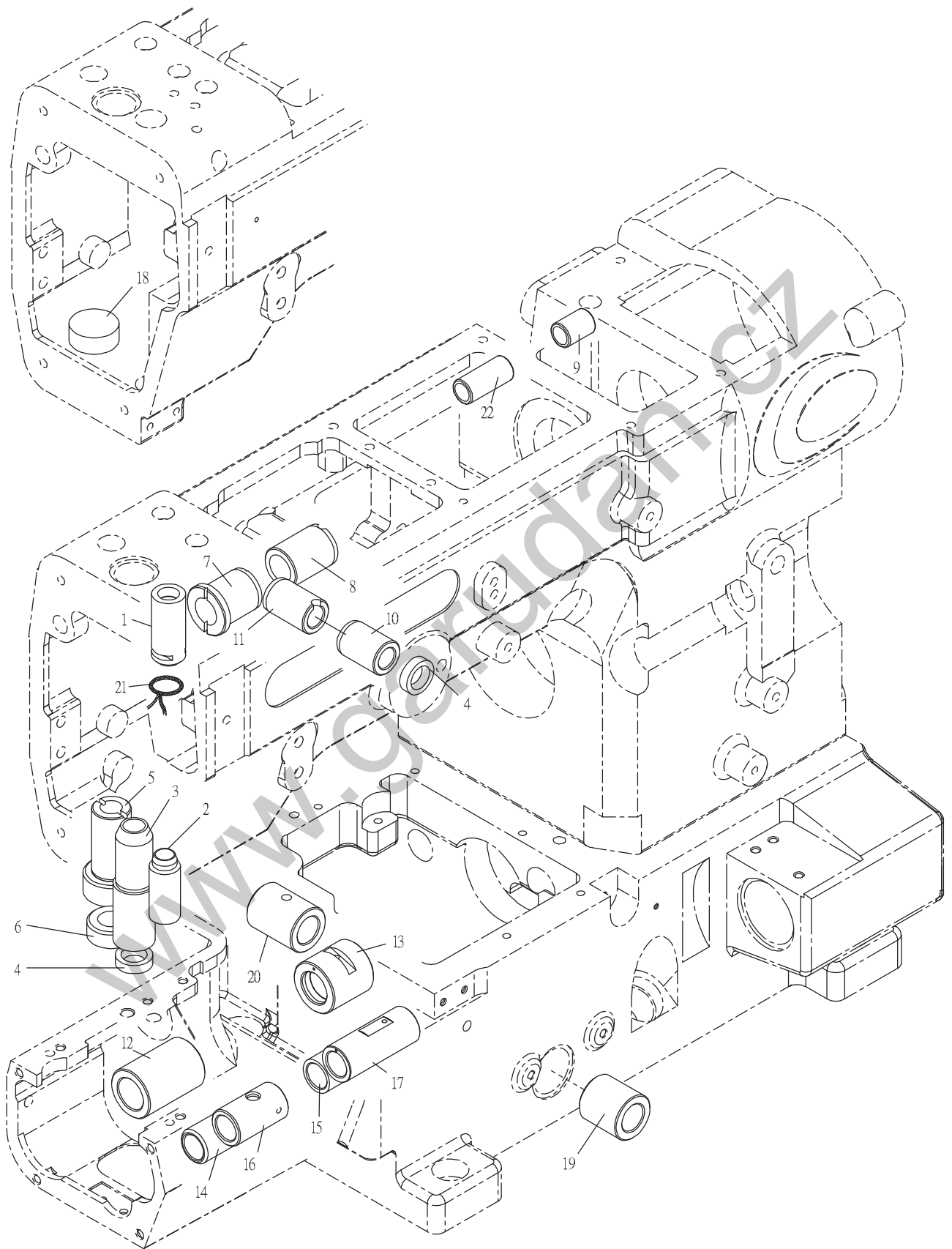
3. CTD9000 導針與張力調整零件 Thread Guide And Tension Components For CTD9000



3. CTD9000 導針與張力調整零件 Thread Guide And Tension Components For CTD9000

序號 Ref.No.	圖號 Parts No.	名稱 Description	單位用量 Amt .Req.
51	8MC03200807G	螺樁 Stud (CT0351 M3-0.5*8)	1
52	2200000352	導線 Thread Guide	1
53	2200000353	導線 Thread Guide	1
54	2200000354	螺樁 Stud	1
55	2200000355	張力控制盤 Tension Disc	2
56	2200000356	彈簧 Spring	1
57	2200000357	螺帽 Nut	1
58	8MC04280507D	螺絲 Screw (CT0122 M4-0.7*5)	2
59	2200000359	揚線臂護線罩 Take-up Arm Protect	1
60	9OSP0206T	彈簧銷 Spring Pin	4
61	231A0001922	張力控制組 Thread Asm. (Red)	3
62	220A0000315	張力控制組 Thread Asm. (Yellow)	2
63	-----	-----	-
64	2270000364	導線桿 Thread Guide	3
65	220A0000365	鬆線組 Therad Tension Mechanism	1
66	-----	-----	-
67	8MP04280808A	螺絲 Screw (MT0235 M4-0.7*8)	1
68	8MD03200606A	螺絲 Screw (FT0218 M4-0.7*10)	1
69	-----	-----	-
70	2200000725	冷卻油槽蓋 Cooler Oil Tank Cover	1
71	2100000403	孔塞 Plug	1
72	2200000729	油管 Oil Tube	1
73	22000007311	羊毛氈承座 Felt Seat	1
74	2200000732	羊毛氈 Felt	1

4. CTD9000 軸襯與油封 Bushing And Seal For CTD9000



4. CTD9000 軸襯與油封Bushing And Seal For CTD9000

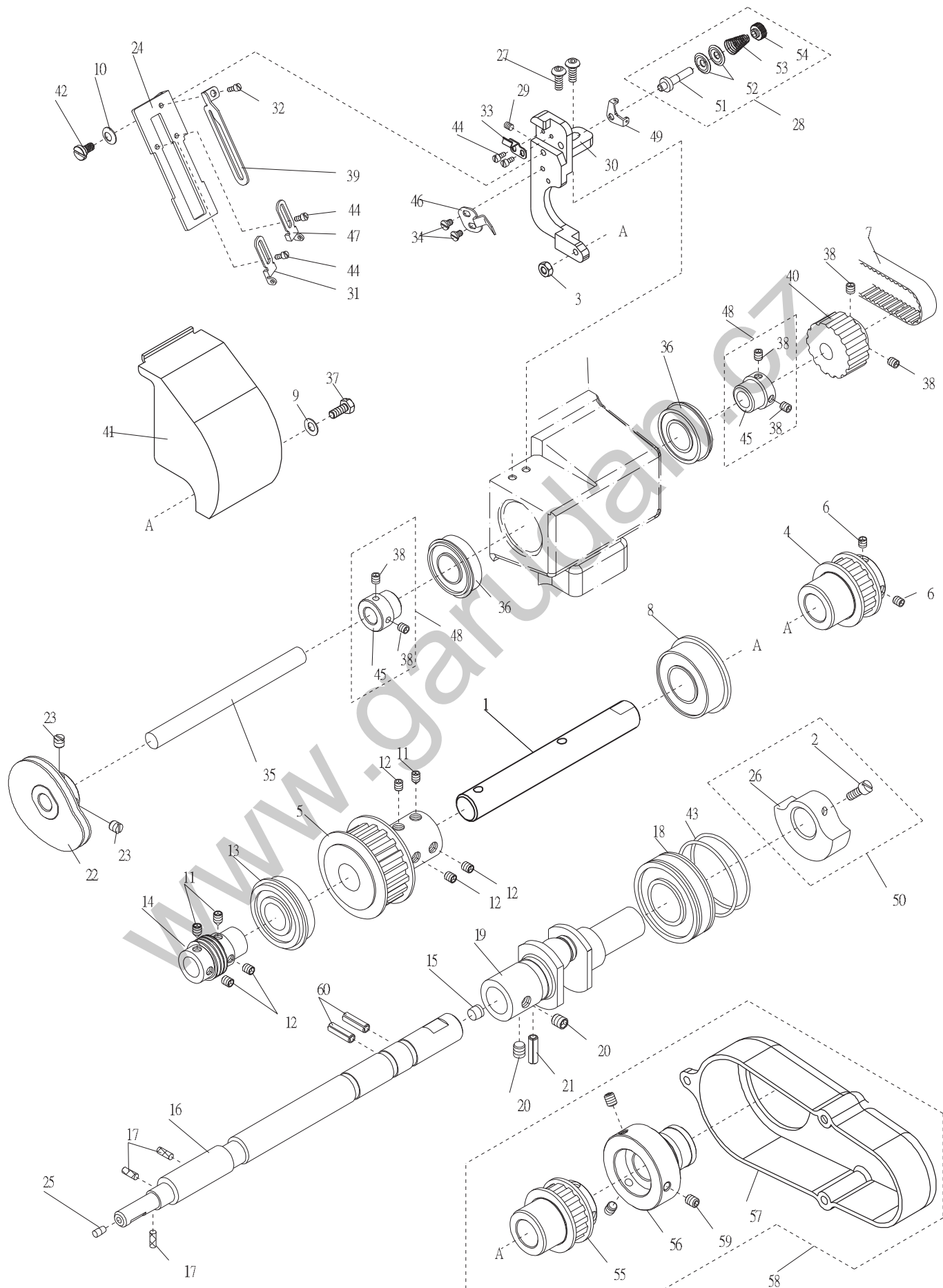
序號 Ref.No.	圖號 Parts No.	名稱 Description	單位用量 Amt .Req.
1	2210000401	軸襯 Bushing -----	1
2	2200000402	軸襯 Bushing -----	1
3	2200000403	軸襯 Bushing -----	1
4	2200000404	油封 Oil Seal -----	2
*5	2220000405	軸襯 Bushing -----	1
*6	2200000406	油封 Oil Seal -----	1
*7	2210000408	軸襯 Bushing -----	1
*8	2200000408	軸襯 Bushing -----	1
9	2240000409	軸襯 Bushing -----	1
10	2200000410	軸襯 Bushing -----	1
11	2200000411	軸襯 Bushing -----	1
12	2200000412	軸襯 Bushing -----	1
13	2200000413	軸襯 Bushing -----	1
14	2200000414	軸襯 Bushing -----	1
15	2200000415	軸襯 Bushing -----	1
16	2200000416	軸襯 Bushing -----	1
17	2200000417	軸襯 Bushing -----	1
**18	2200000422	孔塞 Plug -----	1
19	2200000419	軸襯 Bushing -----	1
20	2200000420	軸襯 Bushing -----	1
21	66800	油線 Oil Wick -----	1
22	2240000422	軸襯 Bushing -----	1

*具有上飾線With top cover thread

**不具有上飾線Without top cover thread

www.garudan.com

5. CTD9000 / CTU9000 下軸與相關零件 Lower Main Shaft Components For CTD9000 / CTU9000

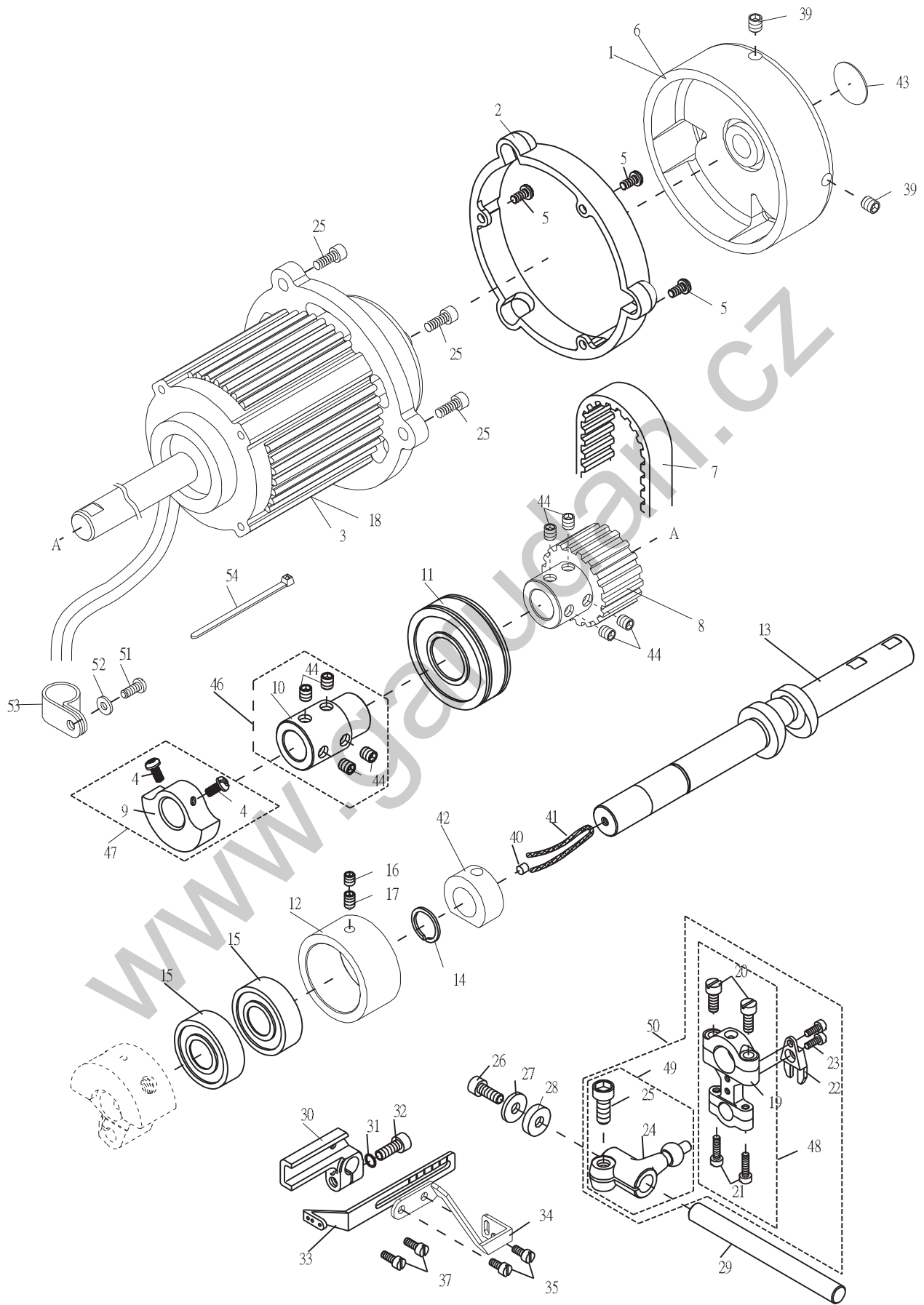


5. CTD9000 / CTU9000 下軸與相關零件 Lower Main Shaft Components For CTD9000 / CTU9000

序號 Ref.No.	圖號 Parts No.	名稱 Description	單位用量 Amt .Req.
1	22400005011	軸 Shaft	1
2	8MB04280807K	螺絲 Screw (CT0215 M4-0.7*8)	2
3	8MA04280307A	螺帽 Nut (CT0238 M4-0.7*3)	1
4	2220000504	齒形皮帶輪 Timing Pulley	1
5	2240000505	齒形皮帶輪 Timing Pulley	1
6	8MN05320500E	螺絲 Screw (CT0903 M5-0.8*5)	2
7	90TB2853GT	齒形皮帶 Timing Belt	1
8	90BB2552154	滾珠軸承 Ball Bearing	1
9	90DW040	碟形墊圈 Disk Washer	1
10	2200000228	碟形墊圈 Disk Washer	1
11	8MN06400800C	螺絲 Screw (CT0502 M6-1*8)	3
12	8MN06400600A	螺絲 Screw (CT0244 M6-1*6)	5
13	90BB2047144	滾珠軸承 Ball Bearing	1
14	2200000508	蝸桿 Worm	1
15	2200000515	孔塞 Plug	1
16	2200000516	軸 Shaft	1
17	66801	油線 Oil Wick	3
18	90BB2042122	滾珠軸承 Ball Bearing	1
19	2200000512	曲軸 Crank Shaft	1
20	8MN06400500A	螺絲 Screw (CT0513 M6-1*5)	2
21	90SP0206	彈簧銷 Pin	1
22	2270000522	揚線凸輪 Looper Thread Takeup Cam	1
23	8MH05320400A	螺絲 Screw (CT0523 M5-0.8*4)	2
24	2270000524	導線固定板 Thread Guide Seat	1
25	2200000550	孔塞 Plug	1
26	2200000509	平衡錘 Balance Weight	1
27	8MP04281008A	螺絲 Screw (MT0250 M4-0.7*10)	2
28	227A0000342	張力控制組 Thread Retainer Asm	1
29	8MN03200500A	螺絲 Screw (STB-01-16 M3-0.5*5)	1
30	22700005301	固定座 Bracket	1
31	2220000548	導線 Thread Guide	1
32	8MB03200306A	螺絲 Screw (FT0208 M3-0.5*3)	1
33	22700005331	夾簧 Latch Spring	1
34	8MB03200405A	螺絲 Screw (FT0548 M3-0.5*4)	2
35	2270000535	軸 Shaft	1
36	90BB152807	滾珠軸承 Ball Bearing	2
37	8MK04281007A	螺絲 Screw (FT0217 M4-0.7*10)	1
38	8MN04280400A	螺絲 Screw (CT0229 M4-0.7*4)	6
39	2270000539	導線 Thread Guide	1
40	2220000540	齒形皮帶輪 Timing Pulley	1
41	22700005411	凸輪護蓋	1
42	8MB04281008G	螺絲 Screw (C90542 M4-0.7*6.2)	1
43	2200000547	O形油環 O Ring	2
44	8MB75180405A	螺絲 Screw (CT0529 M2.5-0.45*3.5)	4
45	2270000545	套管接頭 Joint	1
46	2220000550	夾簧 Latch Spring	1
47	2220000547	導線 Thread Guide	1
48	227A0000552	套管接頭組 Joint Asm	1
49	2270000317	導線 Thread Guide	1
50	222A0000647	平衡錘組 Balance Weight Asm	1
51	2200000354	螺椿 Stud	1
52	2200000355	張力控制盤 Tension Disc	2
53	2200000356	彈簧 Spring	1
54	2200000357	螺帽 Nut	1
*55	2240000555	齒形皮帶輪 Timing Pulley	1
*56	2240000556	套管 Joint	1
*57	2240000557	側蓋 Side Cover	1
*58	224A0000558	套管接頭組 Joint Asm	1
*59	8MN05320600A	螺絲 Screw (MT0729 M5-0.8*6)	3
60	90SP0206T	彈簧銷 Pin	2

*特註品 Custom-made Item

6. CTD9000 /CTD9611 上軸與相關零件 Upper Main Shaft Components For CTD9000 /CTD9611



6. CTD9000 /CTD9611 上軸與相關零件Upper Main Shaft Components For CTD9000 /CTD9611

序號 Ref.No.	圖號 Parts No.	名稱 Description	單位用量 Amt .Req.
▲1	2240000601	手輪 Handwheel -----	1
2	2240000602	護蓋 Cover -----	1
▲3	22400006032	迷你馬達 Mini Motor -----	1
4	8MB04280807K	螺絲 Screw(CT0215 M4-0.7*8) -----	2
5	8MP04280808A	螺絲 Screw (MT0235 M4-0.7*8) -----	3
△6	2240000601S	手輪 Handwheel -----	1
7	2200000607	齒形皮帶 Timeing Belt -----	1
8	22400006081	齒形皮帶輪 Timeing Pulley -----	1
9	2200000509	平衡錘 Balance Weight -----	1
10	2200000610	套管接頭 Joint -----	1
11	90BB204714	滾珠軸承 Ball Bearing -----	1
12	2240000612	軸承套筒 Bearing Sleeve -----	1
13	2210000613	曲軸 Crank Shaft -----	1
14	90SCR150	C形軸用扣環 C Ring -----	1
15	90BB1535115	滾珠軸承 Ball Bearing -----	2
16	8MN06400400A	螺絲 Screw(CT39-04-41 M6-1*4) -----	1
17	8MN06400600C	螺絲 Screw (CT80617 M6-1*6) -----	1
△18	2240000603S	迷你馬達 Mini Motor -----	1
19	2200000619	連桿 Connecting Rod -----	1
20	8MB95301407K	螺絲 Screw(CT0620 M4.5-0.75*14) -----	2
21	8MB85241006K	螺絲 Screw(CT0621 M3.5-0.6*10) -----	2
22	2200000622	定向導軌 Orient Guide -----	1
23	8MB03200806K	螺絲 Screw (CT0623 M3-0.5*8) -----	2
24	2200000624	曲柄 Ball Lever -----	1
25	8MM06401610A	螺絲 Screw (CT0625 M6-1*16) -----	4
26	8MM05321009A	螺絲 Screw (CT0626 M5-08*10) -----	1
27	2200000627	墊圈 Washer -----	1
28	2200000628	隔環 Spacer -----	1
29	2200000629	軸 Shaft -----	1
30	2200000630	承座 Bracket -----	1
31	90SW050	彈簧墊圈 Spring Washer -----	1
32	8MM05321409A	螺絲 Screw (CT0632 M5-0.8*14) -----	1
33	2200000633	針線揚線桿 Thread Take-up -----	1
*34	2220000634	裝飾線揚線桿 Thread Take-up -----	1
*35	8MB85240807K	螺絲 Screw (FT0555 M3.5-0.6*8) -----	2
36	-----	-----	-
**37	8MB85240607K	螺絲 Screw (CT0637 M3.5-0.6*6) -----	2
38	-----	-----	-
39	8MN06400800A	螺絲 Screw (Ct0549 M6-1*8) -----	2
40	2100001404	孔塞 Plug (S14-04)-----	1
41	66800	油線 Oil Wick -----	1
42	2240000642	聚油環 Oil Sleeve -----	1
43	66485-10	銘板 Plate -----	1
44	8MN06400600A	螺絲 Screw(CT0244 M6-1*6) -----	8
45	-----	-----	-
46	222A0000646	套管接頭組 Joint Asm -----	1
47	222A0000647	平衡錘組 Balance Weight Asm -----	1
48	222A0000648	連桿組 Connecting Rod Asm -----	1
49	222A0000649	曲柄組 Ball Lever Asm -----	1
50	222A0000650	連桿組 Connecting Rod Asm -----	1
51	8MB04281007K	螺絲 Screw (CT1237 M4-0.7*10)-----	1
52	2100000223	墊圈 Washer -----	1
53	4MN0210108	線夾 Cord Clamp-----	1
54	4UTB020306	束線 Plastic Binding Wire-----	1

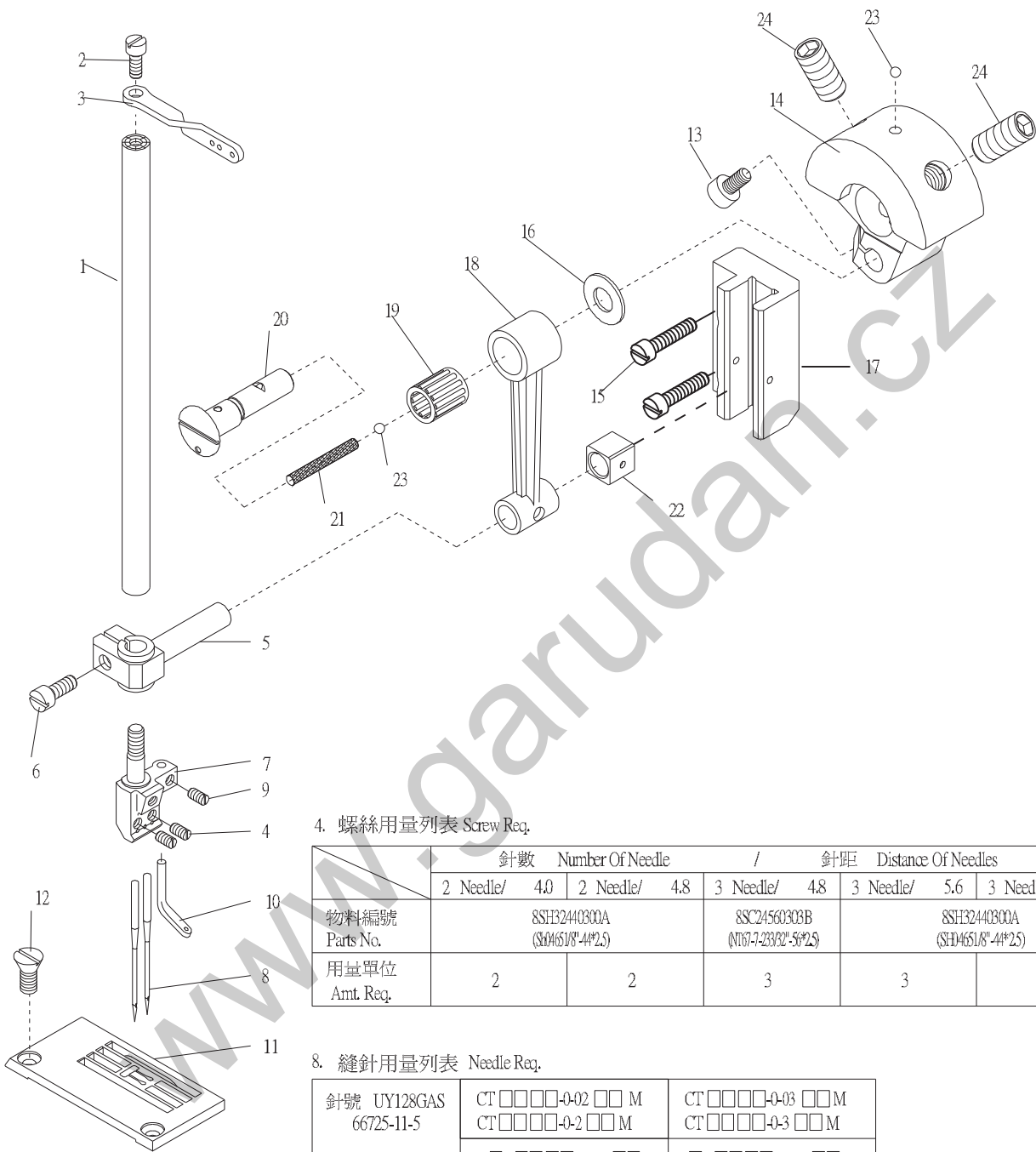
▲ 賀欣規格 Ho hsing motor (選購 Optional)

△ 崧慶規格 Shokei motor (選購 Optional)

*具有上飾線 With top cover thread

**不具有上飾線 Without top cover thread

7. CT9000 / CX2000 / CTD9000 / CXD2000 針棒與相關零件 Needle Bar Components



4. 螺絲用量列表 Screw Req.

	針數 Number Of Needle		針距 Distance Of Needles			
	2 Needle/ 4.0	2 Needle/ 4.8	3 Needle/ 4.8	3 Needle/ 5.6	3 Needle/ 6.4	
物料編號 Parts No.	SSH32440300A (SH4651/8"-4#2.5)		8SC24560303B (M7-7-23/32"-5#2.5)	SSH32440300A (SH4651/8"-4#2.5)		
用量單位 Amt. Req.	2	2	3	3	3	

8. 縫針用量列表 Needle Req.

針號 UY128GAS 66725-11-5	CT□□□□-0-02 □□ M	CT□□□□-0-03 □□ M
	CT□□□□-0-2 □□ M	CT□□□□-0-3 □□ M
	C□D□□□□-0-02 □□ M	C□D□□□□-0-03 □□ M
	C□D□□□□-0-2 □□ M	C□D□□□□-0-3 □□ M
針數 Needle	2	3

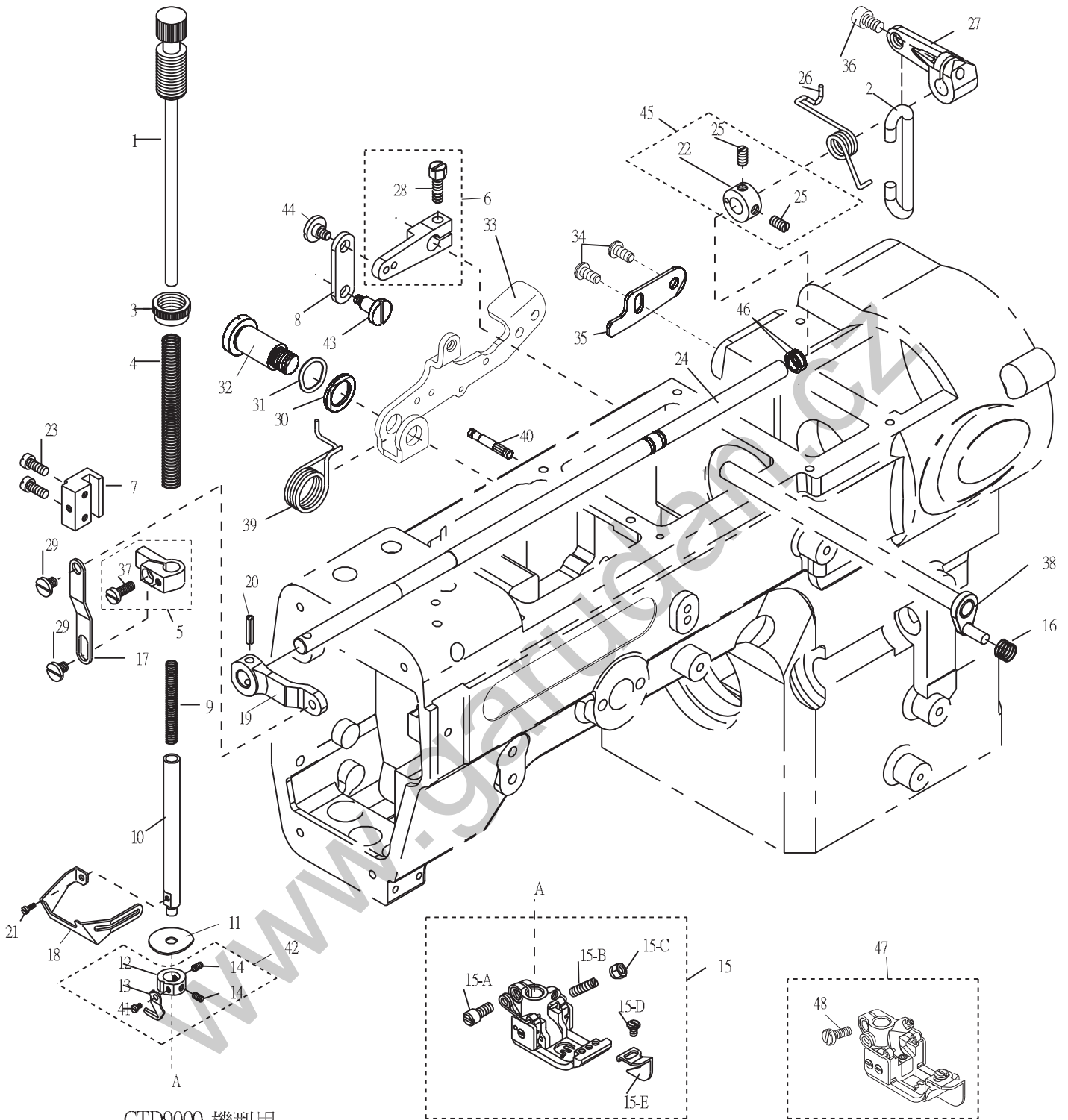
序號 Ref. No.	名稱 Description	針數 Number Of Needle		針距 Distance Of Needles		
		2 Needle/ 4.0	2 Needle/ 4.8	3 Needle/ 4.8	3 Needle/ 5.6	3 Needle/ 6.4
7	針留 needle clamp	5220NC00400	5220NC00480	5220NC00485	5227NC00560	5227NC00640
11	針板 Needle Plate	5222TP00401	5220TP00484	5220TP00484	5220TP00564	5220TP00642

7. CT9000 / CX2000 / CTD9000 / CXD2000 針棒與相關零件 Needle Bar Components

序號 Ref.No.	圖號 Parts No.	名稱 Description	單位用量 Amt .Req.
1	22000007011	針棒 Needle Bar -----	1
2	8MB85240607K	螺絲 Screw (CT0637 M3.5-0.6*6) -----	1
3	2200000703	導線 Thread Guide -----	1
4	-----	螺絲 Screw (See Left Page) -----	-
5	2210000705	針棒驅動銷 Needle Bar Clamp -----	1
6	8MB95301107K	螺絲 Screw (CT0706 M4.5-0.75*11) -----	1
7	-----	針留 Needle clamp (See Left Page) -----	1
8	-----	針 Needle --(UY128GAS See Left Page)-----	-
9	8SH32440300A	螺絲 Screw (SH0465 1/8"-44*2.5) -----	1
*10	2200000710	導線 Thread Guide -----	1
11	-----	針板 Needle Plate (See Left Page) -----	1
12	8SF36400706C	螺絲 Screw (CT0712 9/64"-40*7.5) -----	2
13	8MM05321009A	螺絲Screw (C06-26 M5-0.8*10) -----	1
14	2270000714	平衡錘Balance Weight -----	1
15	8MB04281607A	螺絲Screw (CT0724 M4-0.7*16) -----	2
16	2270000716	墊圈Washer -----	1
17	2210000727	滑道GuideBlock -----	1
18	2210000720	連桿Connecting Rod -----	1
19	90NB081113	滾針軸承Needle Bearing -----	1
20	2270000720	曲柄銷Rod Pin -----	1
21	66800	油線Oil Wick -----	1
22	2200000722	滑塊Slide Block -----	1
23	2100001404	孔塞Plug -----	2
24	8MN08401600E	螺絲Screw (CT0618 M8-1*16) -----	2

*具有上飾線With top cover thread

8. CX2000 / CTD9000 / CTD9611 / CXD2000 壓腳與相關零件 Presser Foot Components



CTD9000 機型用

序號 Ref.No.	名稱 Description	針數 Number Of Needle		/	針距 Distance Of Needles	
		2 Needle/ 4.0	2 Needle/ 4.8		3 Needle/ 4.8	3 Needle/ 5.6
15	壓腳 Presser foot asm	5220PF00404	5220PF00484	5220PF00485	5220PF00564	5220PF00644

CTD9611 機型用

序號 Ref.No.	名稱 Description	針數 Number Of Needle		/	針距 Distance Of Needles	
		2 Needle/ 4.0	3 Needle/ 4.8		3 Needle/ 5.6	3 Needle/ 6.4
47	壓腳 Presser foot asm	5226PF11400	5226PF11480	5226PF11560	5226PF11640	

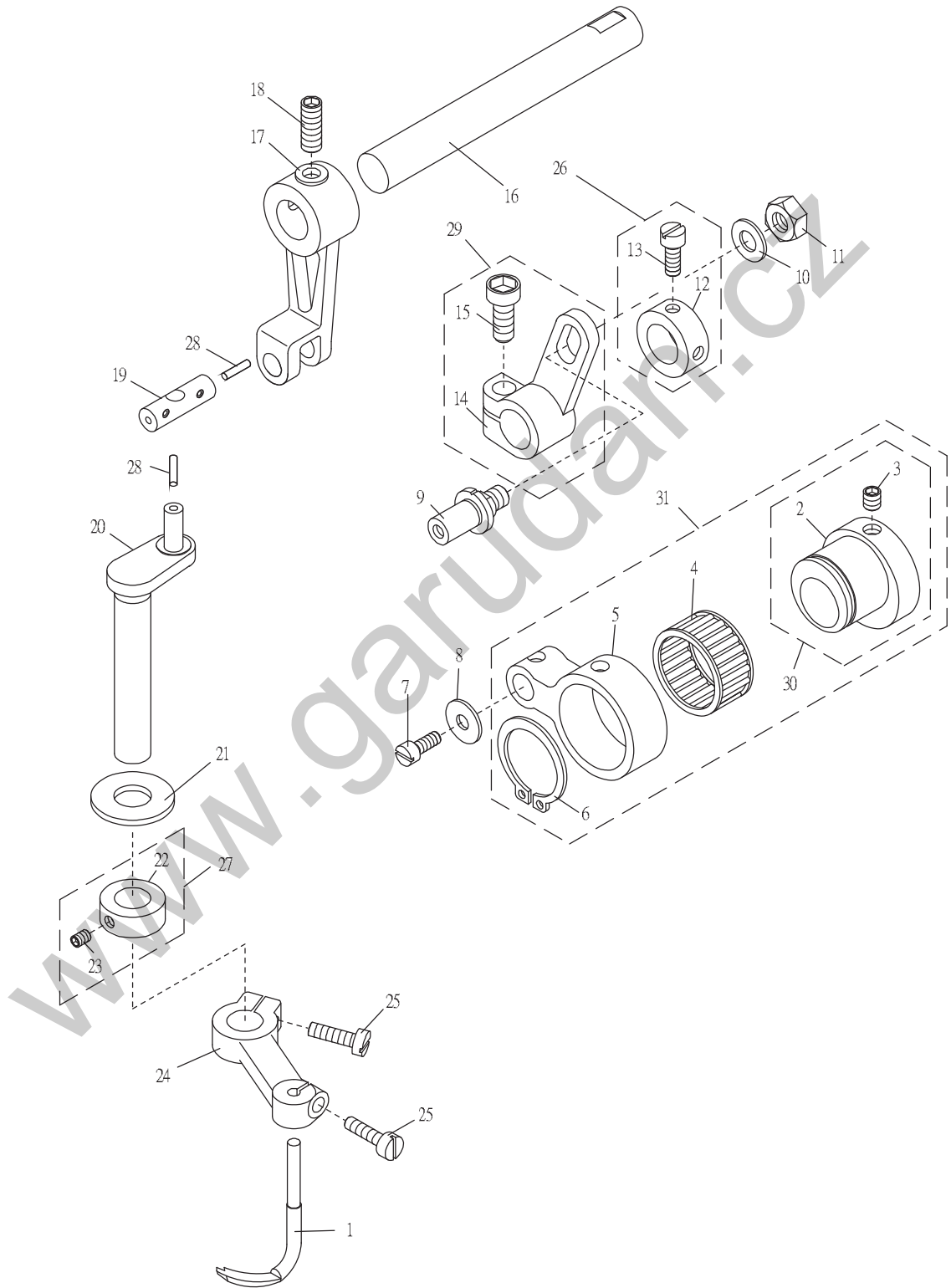
8. CX2000 / CTD9000 / CTD9611 / CXD2000 壓腳與相關零件 Presser Foot Components

序號 Ref.No.	圖號 Parts No.	名稱 Description	單位用量 Amt .Req.
1	2220000801	壓力調整螺椿 Spring Regulator -----	1
2	2240000802	吊桿 Lifter Connecting Plate -----	1
3	2220000803	螺帽 Nut -----	1
4	2200000804	彈簧 Spring -----	1
5	2200000805	壓腳棒連結臂 Presser Bar Clamp -----	1
*6	2240000806	曲柄 Drive Arm -----	1
7	2200000807	滑道 Guide Block -----	1
*8	2240000808	連桿 Link -----	1
9	2200000809	彈簧 Spring -----	1
10	2200000810	壓腳棒 Presser Bar -----	1
11	2200000811	阻油片 Oil Separator -----	1
12	2220000812	限動環 Stop Collar -----	1
13	2220000813	固定切刀 Knife -----	1
14	8MH85240300A	螺絲 Screw (CT0813 M3.5-0.6*3) -----	2
15	-----	CD9000壓腳 Presser Foot(See Left Page) -----	1
15-A	5220PF0356M	螺絲 Screw (M3.5-0.6*8) -----	1
15-B	5221PF0956C	螺絲 Screw(1/8"-44*11) -----	1
15-C	5220PF0356D	螺帽 Nut -----	1
15-D	8SB24560405A	螺絲 Screw (SH0413 3/32"-56*4) -----	1
15-E	5220PF0056L	導布定規 Curl Guard -----	1
*16	4UTB000411	彈簧 Spring -----	1
17	2200000817	連桿 Link -----	1
18	2220000818	護指擋片 Safety Plate Holder -----	1
19	2240000819	連桿 Lever -----	1
20	90SP0416	彈簧銷 Spring Pin -----	1
21	8MB85240607K	螺絲 Screw (CT0637 M3.5-0.6*6) -----	1
22	2200000822	定位環 Collar -----	1
23	8MC95301608E	螺絲 Screw (C08-08 M4.5-0.75*16) -----	2
24	22400008241	軸 Shaft -----	1
25	8MC95300606F	螺絲 Screw (CT0823 M4.5-0.75*5.5) -----	2
26	2240000826	彈簧 Spring -----	1
27	2240000827	連桿 Link -----	1
*28	8MK95301407A	螺絲 Screw (CT0837 M4.5-0.75*14) -----	1
29	8MB05320509G	螺椿 Stud (CT0802 M5-0.8*5) -----	2
30	2310001012	墊圈 Washer -----	1
31	2310001207	波形墊圈 Corrugated Ring -----	1
32	2310001013	螺椿 Stud -----	1
33	22400008331	揚昇臂 Lifter Arm -----	1
*34	8MP06401011A	螺絲 Screw (MT0234 M6-1*10) -----	2
*35	2240000835	限位片 Stopper -----	1
36	8MM06401210A	螺絲 Screw (F1103 M6-1*12) -----	1
37	8MC95300808E	螺絲 Screw (CT0806 M4.5-0.75*8) -----	1
*38	2240000838	軸 Shift -----	1
39	2240000839	彈簧 Spring -----	1
40	2310001017	銷 Pin -----	1
41	8MB03200405A	螺絲 Screw (FT0548 M3-0.5*4) -----	1
42	222A0000842	限動環組 Stop Collar Asm -----	1
*43	2310000343	螺椿 Stud -----	1
*44	2310000344	螺椿 Stud -----	1
45	220A0000825	定位環組 Collar Asm -----	1
46	2240000846	O形油環 O Ring -----	2
47	-----	CTD9611壓腳 Presser Foot(See Left Page) -----	1
48	8SB36400606A	螺絲 Screw (S10-07 9/64"-40*6) -----	1

* 為標準型專用, 切線(UT 系列) 時不使用

* For basic model only, Not applicable to thread trimmer (UT series) series.

9. CT9000 / CT9611 / CX2000 / CTD9000 / CTD9611 / CXD2000 裝飾線驅動機構
Spreader Mechanism

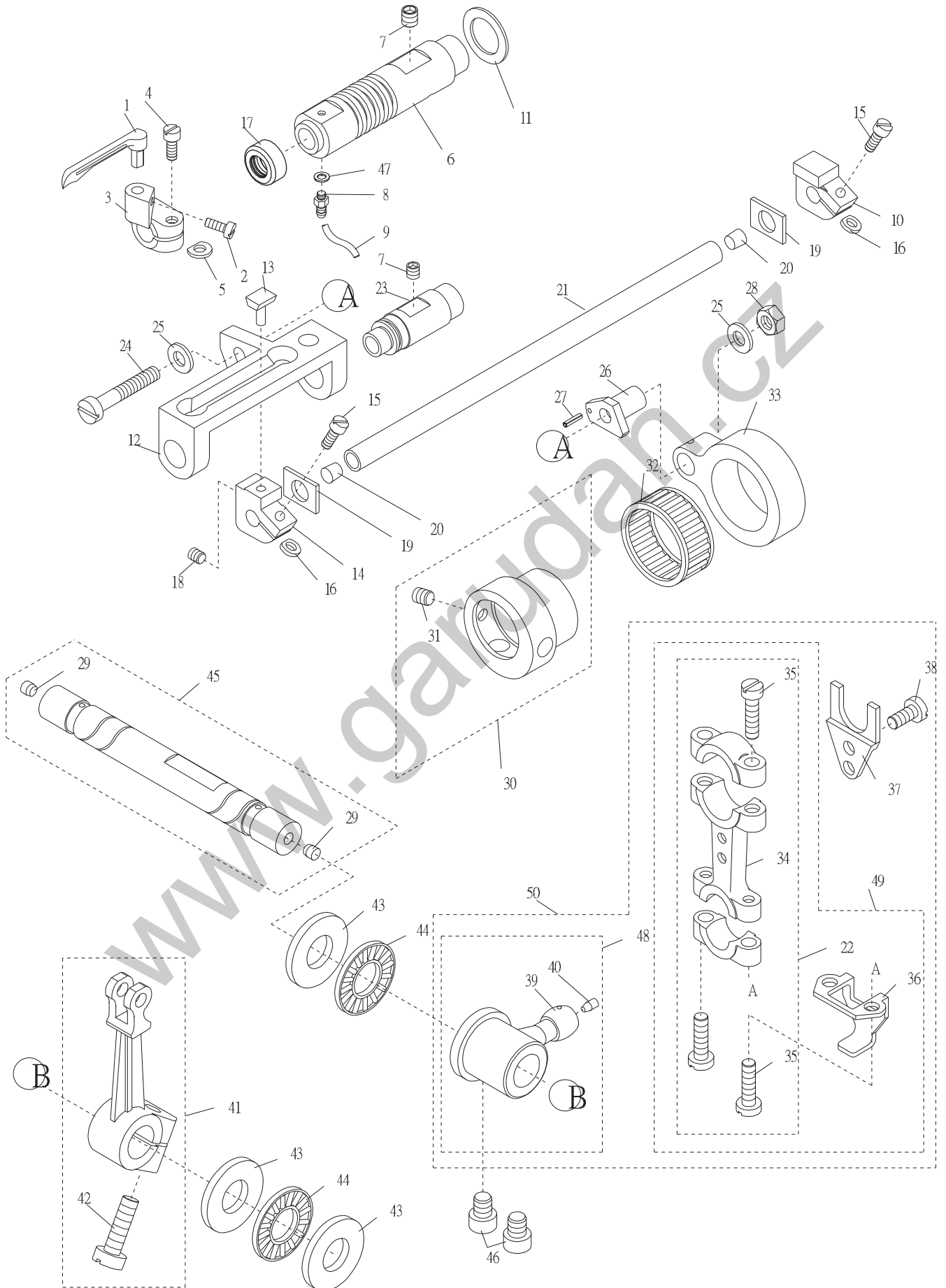


9. CT9000 / CT9611 / CX2000 / CTD9000 / CTD9611 / CXD2000 裝飾線驅動機構

Spreader Mechanism

序號 Ref.No.	圖號 Parts No.	名稱 Description	單位用量 Amt .Req.
1	5220SL00560	裝飾線結線鉤Spreader -----	1
2	2200000902	偏心輪Eccentric -----	1
3	8MN05320500E	螺絲Screw (CT0903 M5-0.8*5) -----	2
4	90NB222613	滾針軸承Needle Bearing -----	1
5	2200000905	連桿Connecting Rod -----	1
6	90SCR220	軸用C形扣環C Ring -----	1
7	8MB04280807K	螺絲Screw (CT0215 M4-0.7*8) -----	1
8	2200000908	墊圈Washer -----	1
9	2200000909	曲柄銷Rod Pin -----	1
10	2200000910	墊圈Washer -----	1
11	8MA06400510A	螺帽Nut (CT0533 M6-1*5) -----	1
12	2200000912	定位環Collar -----	1
13	8MC95300606F	螺絲Screw (CT0823 M4.5-0.75*5.5) -----	2
14	2200000914	變距曲柄Lever -----	1
15	8MM06401610A	螺絲Screw (CT0625 M6-1*16) -----	1
16	2200000916	軸Shaft -----	1
17	2220000917	連桿Connecting Rod -----	1
18	8MN06400600A	螺絲Screw (CT0244 M6-1*6) -----	2
19	2220000919	連桿銷Rod Pin -----	1
20	2220000920	曲軸Crank Shaft -----	1
21	2200000921	墊圈Washer -----	1
22	2200000922	定位環Collar -----	1
23	8MH85240500A	螺絲Screw (CT0923 M3.5-0.6*4.5) -----	2
24	22000009241	擺動臂Spreader Arm -----	1
25	8MB04281207K	螺絲Screw (CT0239 M4-0.7*12) -----	2
26	220A0000926	定位環組Collar Asm -----	1
27	220A0000927	定位環組Collar Asm -----	1
28	66801	油線Oil Wick -----	2
29	222A0000929	變距曲柄Lever -----	1
30	222A0000930	偏心輪組Collar Asm -----	1
31	222A0000931	偏心輪組Collar Asm -----	1

10. CT9000 / CTD9000 / CTF9011 / CTU9011 結線鉤驅動機構
 Looper Driving Mechanism For CT9000 / CTD9000 / CTF9011 / CTU9011

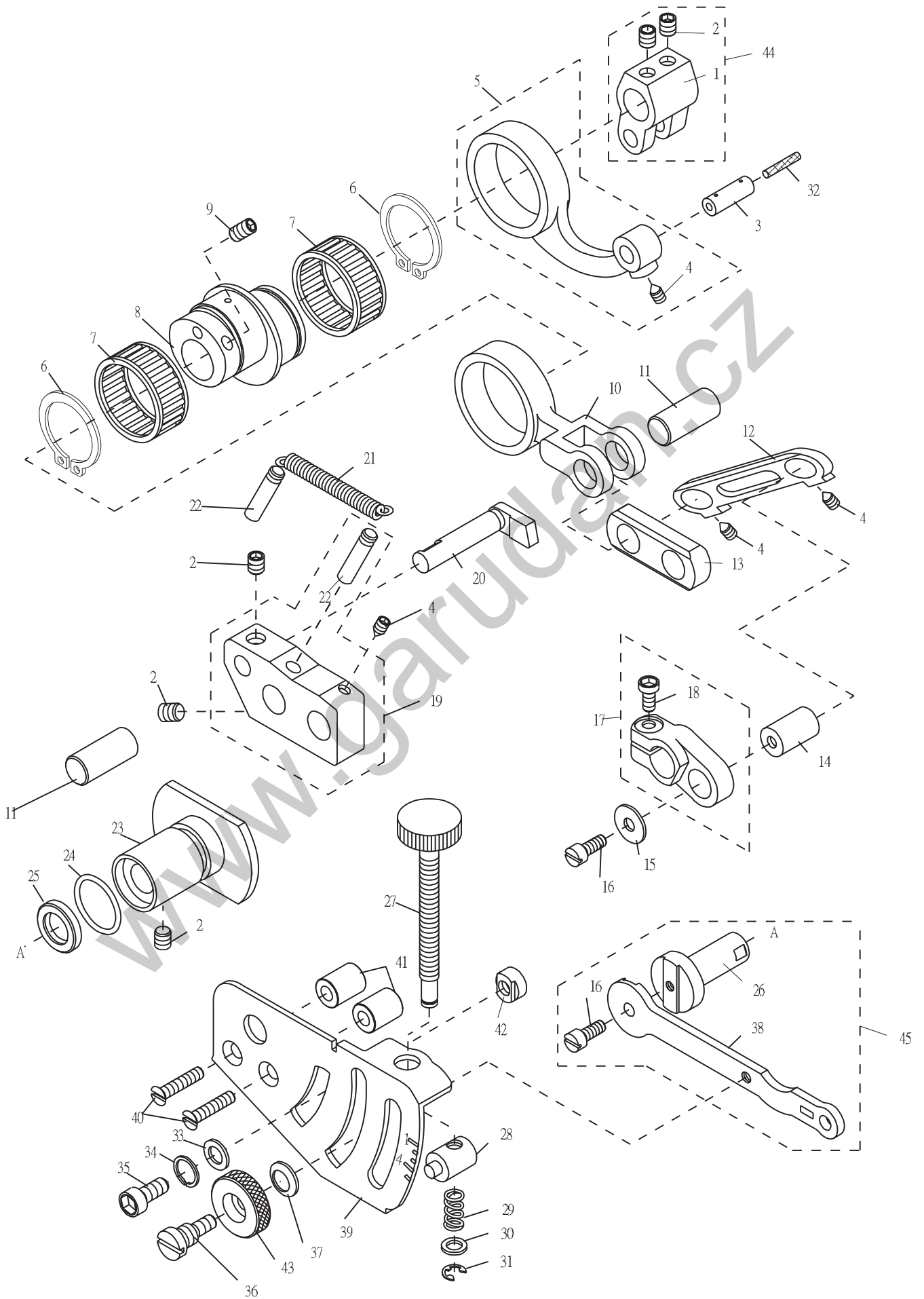


10. CT9000 / CTD9000 / CTF9011 / CTU9011 結線鉤驅動機構

Looper Driving Mechanism For CT9000 / CTD9000 / CTF9011 / CTU9011

序號 Ref.No.	圖號 Parts No.	名稱 Description	單位用量 Amt .Req.
1	5220LL00560	下結線鉤Looper -----	1
2	8MB85240605A	螺絲Screw (CT1002 M3.5--0.6*6) -----	1
3	2200001003	結線鉤座Looper Holder -----	1
4	8MB85241006K	螺絲Screw (CT0621 M3.5-0.6*10) -----	1
5	2200001005	墊圈Washer -----	1
6	22200010061	軸襯Bushing -----	1
7	8MN06400600A	螺絲Screw (CT0244 M6-1*6) -----	2
8	2100001505	油嘴Oil Tube Joint (SH1505) -----	1
9	66692	油管Oil Tube -----	1
10	2220001010	滑塊固定座Slider Holder -----	1
11	2200001011	墊圈Washer -----	1
12	22200010121	滑道Guide Block -----	1
13	2200001013	滑塊Slide block -----	1
14	2200001014	滑塊固定座Slider Holder -----	1
15	8MB85241106A	螺絲Screw (CT1015 M3.5-0.6*11) -----	2
16	2200001016	墊圈Washer -----	2
17	2270001017	橡膠環 Rubber Washer -----	1
18	8MN04280400A	螺絲Screw (CT0229 M4-0.7*4) -----	1
19	2200001019	止推墊片Thrust Plate -----	2
20	22000002471	孔塞Plug -----	2
21	2220001021	結線鉤驅動軸Looper Drive Bar -----	1
22	220A0001022	連桿組Connecting Rod Asm -----	1
23	22200010231	導桿Guide Bar -----	1
24	8MB05323009B	螺絲Screw (CT1024 M5-0.8*30) -----	1
25	2200001025	墊圈Washer -----	2
26	2200001026	變距連桿銷Adjusting Pin -----	1
27	2200001027	彈簧銷Spring Pin -----	1
28	8MA05320408A	螺帽Nut (CT1028 M5-0.8*4) -----	1
29	2200001029	孔塞Plug -----	2
30	2200001030	偏心輪Eccentric -----	1
31	8MN05320500E	螺絲Screw (CT0903 M5-0.8*5) -----	1
32	90NB263013	滾針軸承Needle Bearing -----	1
33	2200001033	連桿Rod -----	1
34	2200001034	連桿Connecting Rod -----	1
35	8MB95301407K	螺絲Screw (CT0620 M4.5-0.75*14) -----	4
36	2200001036	潑油片Oil Splasher -----	1
37	2200001037	定向導片Orient Guide -----	1
38	8MC95300807E	螺絲Screw (CT1038 M4.5-0.75*8) -----	2
39	2200001039	曲柄Lever -----	1
40	2100000328	孔塞Plug -----	1
41	2200001041	擺動臂Rocker Arm -----	1
42	8MM06401610A	螺絲Screw (CT0625 M6-1*16) -----	1
43	2200001043	止推墊圈Thrust Washer -----	3
44	2200001044	止推軸承Thrust Bearing -----	2
45	2200001045	軸Shaft -----	1
46	8MM06401210C	螺絲Screw (CT1046 M6-1*12) -----	2
47	2200001047	墊圈 Washer -----	1
48	220A0001048	曲柄組Lever Asm -----	1
49	220A0001049	連桿組Connecting Rod Asm -----	1
50	220A0001050	連桿組 Connecting Rod Asm -----	1

11. CT9000/CTD9000 / CTF9011 / CTU9011 進給變換機構 Feed Control Driving

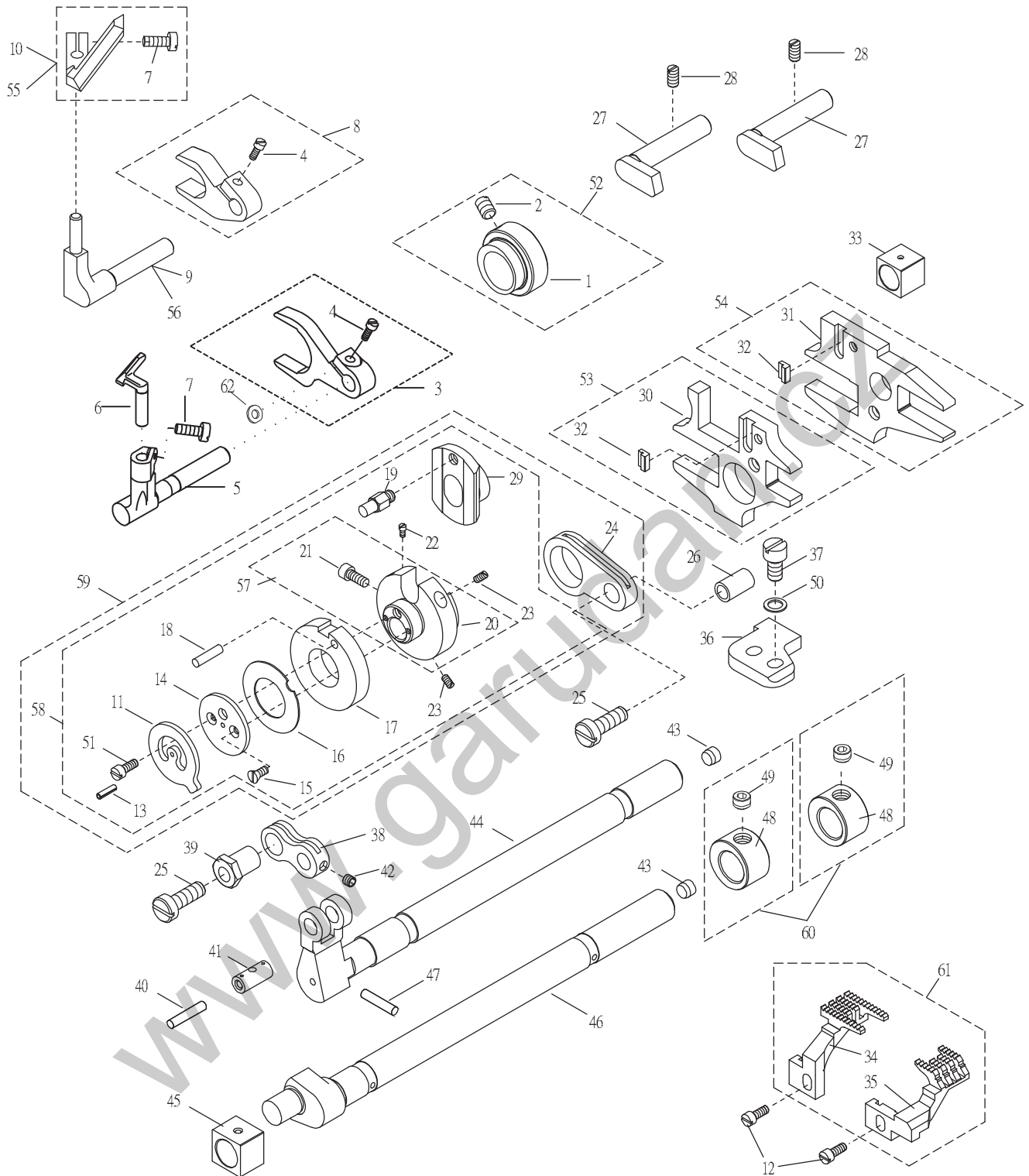


11. CT9000/CTD9000 / CTF9011 / CTU9011 進給變換機構 Feed Control Driving

序號 Ref.No.	圖號 Parts No.	名稱 Description	單位用量 Amt. Req.
1	2200001101	曲柄 Lever -----	1
2	8MN06400600A	螺絲 Screw (CT0244 M6-1*6) -----	5
3	2200001103	曲柄銷 Rod Pin -----	1
4	8MN04280600C	螺絲 Screw (CT1104 M4-0.7*6) -----	4
5	2200001105	連桿 Rod -----	1
6	2200001106	C形軸用扣環 C Ring -----	2
7	90NB252910	滾針軸承 Needle Bearing -----	2
8	2200001108	偏心輪 Eccentric -----	1
9	8MN05320500E	螺絲 Screw (CT0903 M5-0.8*5) -----	2
10	2200001110	連桿 Rod -----	1
11	2200001111	連桿銷 Rod Pin -----	2
12	2200001112	連桿 Link -----	1
13	2200001113	連桿 Link -----	1
14	2200001114	曲柄銷 Lever Pin -----	1
15	2200001115	墊圈 Washer -----	1
16	8MB04280807K	螺絲 Screw (CT0215 M4-0.7*8) -----	2
17	2200001117	曲柄 Lever -----	1
18	8MM04281207A	螺絲 Screw (CT0202 M4-0.7*12) -----	1
19	2220001119	承座 Bracket -----	1
20	2200001120	懸臂式滑軌 Guide -----	1
21	2200001121	彈簧 Spring -----	1
22	2200001122	彈簧掛鉤 Pin -----	2
23	2200001123	軸襯 Bushing -----	1
24	90OR160	O形油環 O Ring -----	1
25	2200001125	油封 Oil Seal -----	1
26	2220001126	差動游標軸 Shaft -----	1
27	2220001127	調節螺樁 Adjusting Screw -----	1
28	2220001128	微調定位銷 Differential Feed Block -----	1
29	2220001129	彈簧 Spring -----	1
30	2220001130	墊圈 Washer -----	1
31	90ER035	E形扣環 -----	1
32	66800	油線 Oil Wick -----	1
33	2200001025	墊圈 Washer -----	1
34	90SW050	彈簧墊圈 Spring Washer -----	1
35	8MM05320809A	螺絲 Screw (CT1145 M5-0.8*8) -----	1
36	8MB06401108Q	螺樁 Stud (CT1146 M6-1*11) -----	1
37	2200001137	皿形墊圈 Disc Washer -----	1
38	2220001138	差動變換桿 Lever -----	1
39	2220001139	差動刻記板 Regulator Plate -----	1
40	8ME04282208A	螺絲 Screw (NCT1140 M4-0.7*22) -----	2
41	2220001141	隔環 Spacer -----	2
42	2200001142	止動環 Stopper -----	1
43	2200001147	螺帽 Nut -----	1
44	220A0001149	曲柄組 Lever Asm. -----	1
45	222A0001145	差動變換桿組 Lever Set -----	1

12. CT9000/CTD9000 / CTF9000 / CTU9011導針與送布齒驅動機構

Needle Guide And Feed Dog Driving For CT9000/CTD9000 / CTF9011 / CTU9011



序號 Ref.No.	名稱 Description	針距 Distance Of Needles			
		4.0	4.8	5.6	6.4
34	主送布齒 Main Feed Dog	5220FD00563	5220FD00563	5220FD00563	5220FD00643
35	副送布齒 Diff Feed Dog	5220DF00560	5220DF00560	5220DF00560	5220DF00640
61	送布齒組 Feed Dog Asm.	5220DG0016	5220DG0016	5220DG0016	5220DG0017

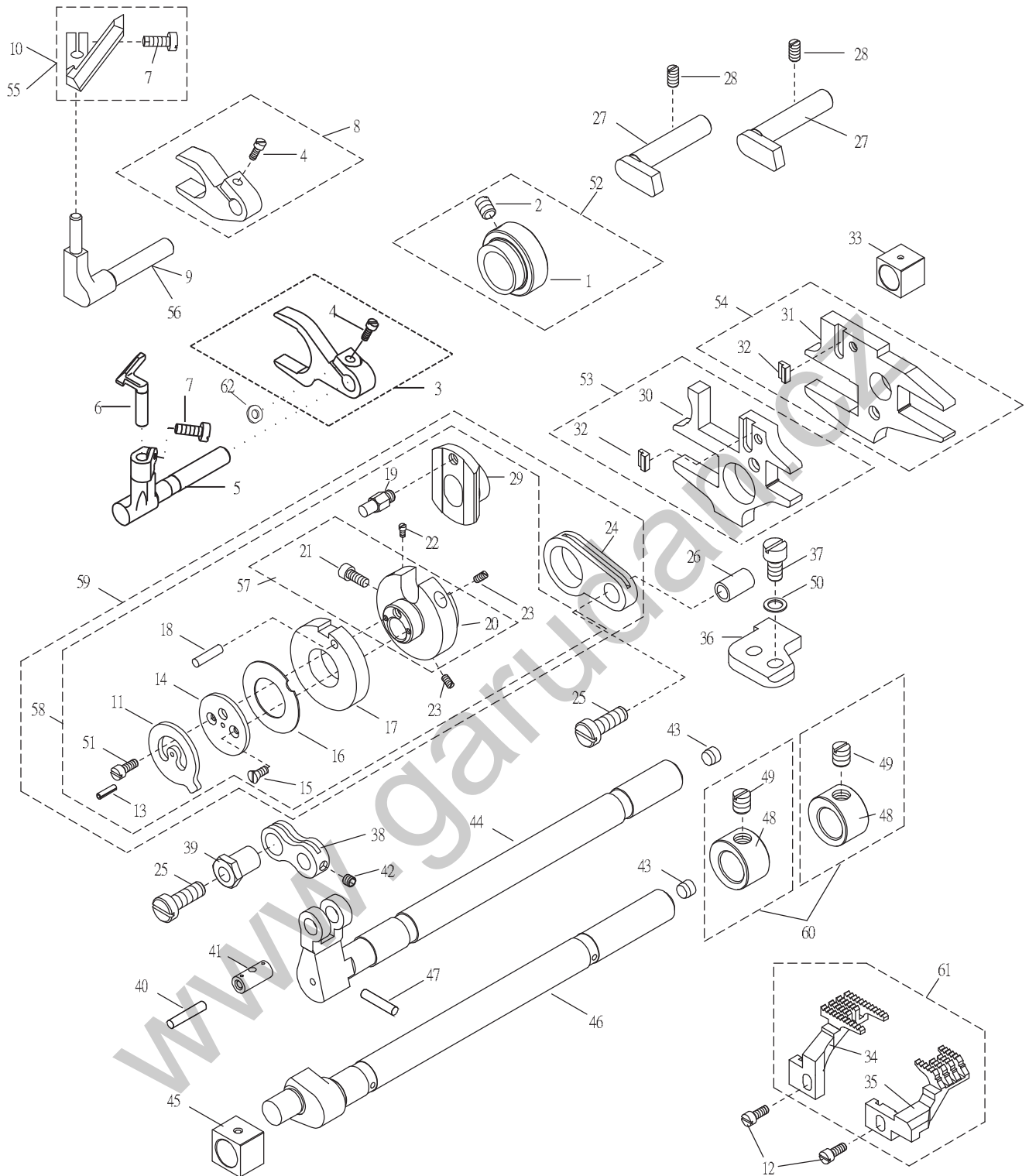
12. CT9000/CTD9000 / CTF9011 / CTU9011 導針與送布齒驅動機構

Needle Guide And Feed Dog Driving For CT9000/CTD9000 / CTF9011 / CTU9011

序號 Ref.No.	圖號 Parts No.	名稱 Description	單位用量 Amt .Req.
1	2200001201	導針擺動凸輪 Eccentric Cam -----	1
2	8MN05320500E	螺絲 Screw (CT0903 M5-0.8*5) -----	2
3	2200001203	導針擺動曲柄 Lever -----	1
4	8MB03201006A	螺絲 Screw (CT1204 M3-0.5*10) -----	2
5	2200001205	前導針座 Needle Guide Holder -----	1
6	5220NG00563	前導針器 Needle Guide -----	1
7	8MB03200606K	螺絲 Screw (CT1207 M3-0.5*6) -----	2
8	2200001208	導針擺動曲柄 Lever -----	1
9	2200001251	後導針座 Needle Guide Holder -----	1
10	5220NG00562	後導針器 Needle Guide -----	1
11	2200001211	限動片 Stopper -----	1
12	8MB85240806K	螺絲 Screw (CT0635 M3.5-0.6*8) -----	2
13	2200001027	彈簧銷 Spring Pin -----	1
14	2200001214	壓板 Presser -----	1
15	8ME02160404A	螺絲 Screw (CT1215 M2-0.4*4) -----	2
16	2200001216	緊迫簧片 Disc Spring -----	1
17	2200001217	變距凸輪 Cam -----	1
18	90SP0308	止動銷 Stopper Pin -----	1
19	2200001219	引動銷 Drive Pin -----	1
20	2200001220	變距滑道 Slide Guide -----	1
21	8MB85240605K	螺絲 Screw (CT1221 M3.5-0.6*6) -----	1
22	8MN03200300A	螺絲 Screw (CT0115 M3-0.5*3) -----	1
23	8MN04280600A	螺絲 Screw (CT1223 M4-0.7*6) -----	2
24	2200001224	連桿 Link -----	1
25	8MB05321809K	螺絲 Screw (CT1225 M5-0.8*17.8) -----	2
26	2200001226	連桿銷 Pin -----	1
27	2200001227	懸臂式滑軌 Guide -----	2
28	8MN06400600A	螺絲Screw (CT0918 M6-1*6) -----	2
29	2200001229	變距滑塊Slide Block -----	1
30	2200001230	主送齒驅動座 Feed Dog Seat -----	1
31	2200001231	副送齒驅動座 Feed Dog Seat -----	1
32	2200001232	送布齒定位鍵 Locator Key -----	2
33	2200001233	滑塊 Slide Block -----	1
34	-----	主送布齒 Main Feed Dog(See Left Page) -----	1
35	-----	副送布齒 Diff Feed Dog(See Left Page) -----	1
36	2200001236	送齒座側導塊 Guide Block -----	1
37	8MB04281007K	螺絲 Screw(CT1237 M4-0.7*10) -----	2
38	2200001238	連桿 Link -----	1
39	2200001239	連桿銷 Pin -----	1
40	66800	油線 Oil Wick -----	1
41	2200001241	連桿銷 Pin -----	1
42	8MN03200400C	螺絲 Screw (CT1242 M3-0.5*4) -----	1
43	2200001243	孔塞 Plug -----	2
44	2200001244	曲柄 Shaft -----	1
45	2200001245	滑塊 Slide Block -----	1
46	2200001246	曲軸 Crank Shaft -----	1
47	66802	油線 Oil Wick -----	1
48	2200001248	定位環 Collar -----	2
49	8MN06400400A	螺絲 Screw (CT0513 M6-1 *5) -----	2
50	2100000223	墊圈 Washer -----	2

12. CT9000/CTD9000 / CTF9000 / CTU9011導針與送布齒驅動機構

Needle Guide And Feed Dog Driving For CT9000/CTD9000 / CTF9011 / CTU9011



序號 Ref.No.	名稱 Description	針距 Distance Of Needles			
		4.0	4.8	5.6	6.4
34	主送布齒 Main Feed Dog	5220FD00563	5220FD00563	5220FD00563	5220FD00643
35	副送布齒 Diff Feed Dog	5220DF00560	5220DF00560	5220DF00560	5220DF00640
61	送布齒組 Feed Dog Asm.	5220DG0016	5220DG0016	5220DG0016	5220DG0017

12. CT9000/CTD9000 / CTF9011 / CTU9011 導針與送布齒驅動機構

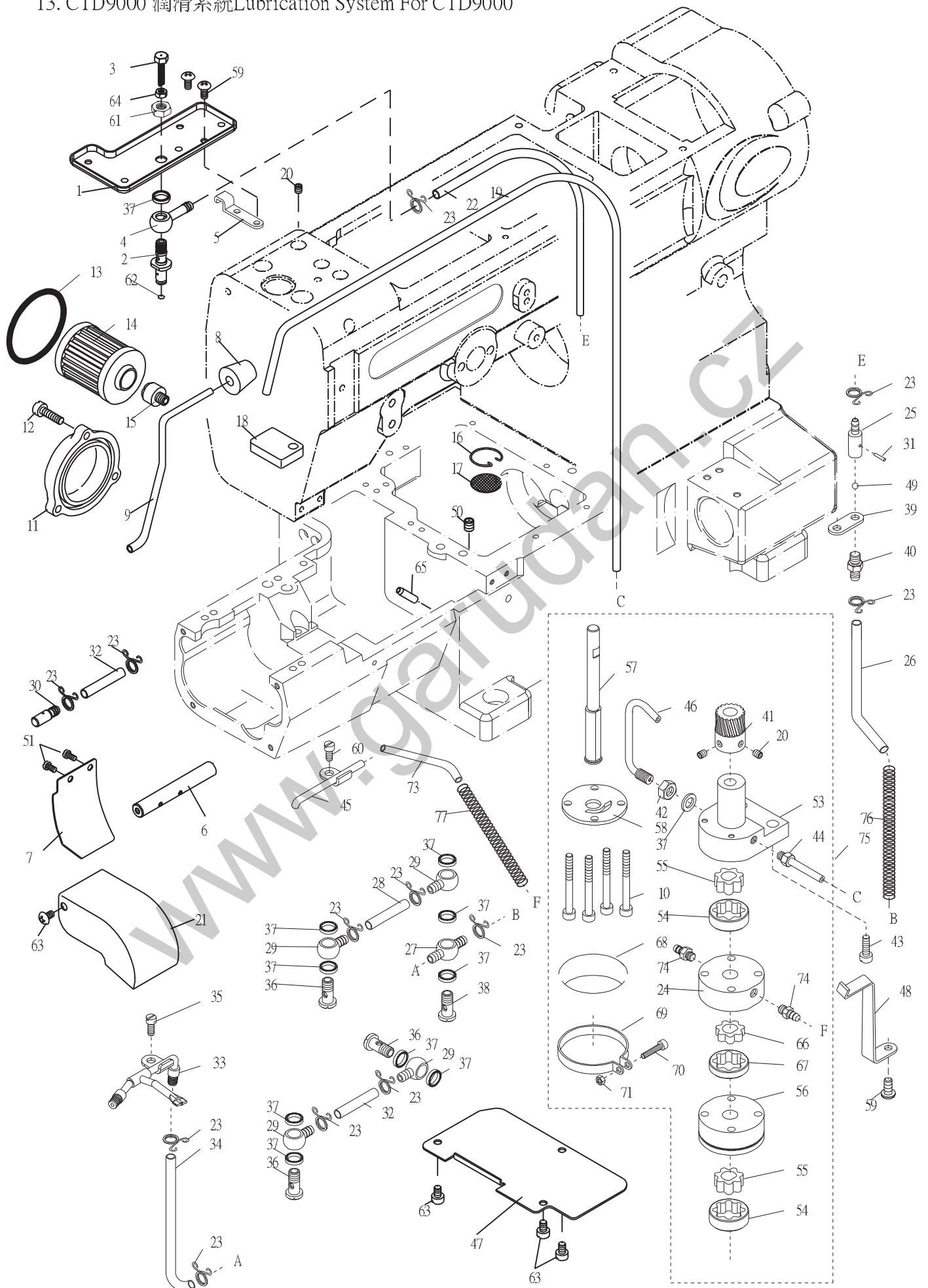
Needle Guide And Feed Dog Driving For CT9000/CTD9000 / CTF9011 / CTU9011

序號 Ref.No.	圖號 Parts No.	名稱 Description	單位用量 Amt .Req.
51	8MB85240807K	螺絲 Screw (FT0555 M3.5-0.6*8) -----	1
52	222A0001252	導針擺動凸輪組 Eccentric Cam Asm -----	1
53	222A0001253	主送齒驅動座組 Feed Dog Seat Asm -----	1
54	222A0001254	副送齒驅動座組 Feed Dog Seat Asm -----	1
*55	5220NG00561	後導針器 Needle Guide -----	1
*56	2200001209	後導針座 Needle Guide Holder -----	1
57	220A0001256	變距滑道組 Slide Guide Asm -----	1
58	220A0001254	變距滑道組 Slide Guide Asm -----	1
59	220A0001255	變距滑道組 Slide Guide Asm -----	1
60	220A0001252	定位環組 Collar Asm -----	2
61	-----	送布齒組 Feed Dog Asm. (See Left Page) -----	1
62	90PW030708	墊圈 Washer -----	1

*特註品 Custom-Item

www.garudan.cz

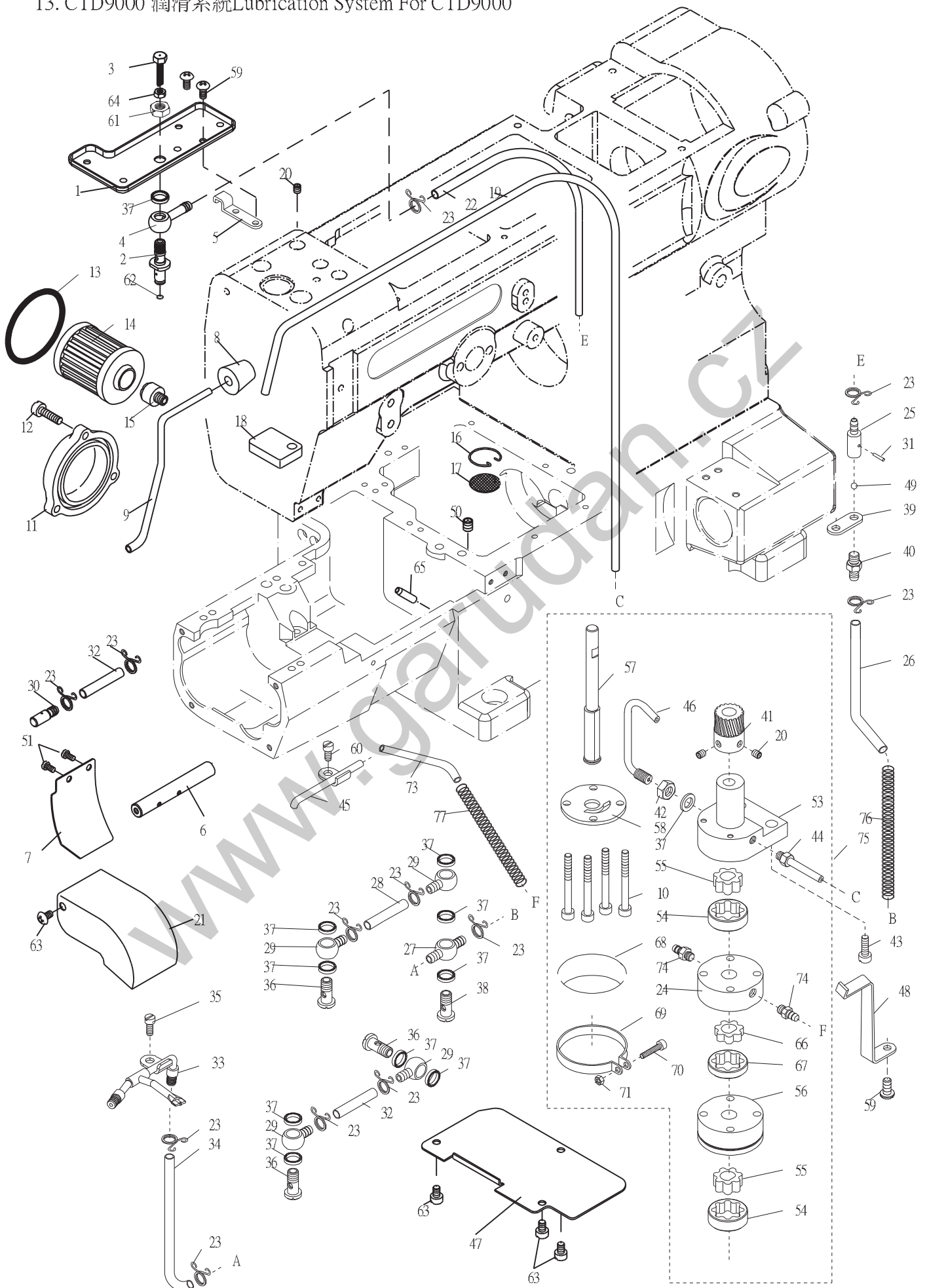
13. CTD9000 潤滑系統 Lubrication System For CTD9000



13. CTD9000 潤滑系統 Lubrication System For CTD9000

序號 Ref.No.	圖號 Parts No.	名稱 Description	單位用量 Amt .Req.
1	2240001301	承油盤 Oil Receiver -----	1
2	2240001302	油管 Oil Tube -----	1
3	2240001303	噴油嘴 Nozzle -----	1
4	2240001304	油管接頭 Oil Tube Joint -----	1
5	22400013051	檔片 Washer -----	1
6	2210001352	軸 Shaft -----	1
7	2210001353	防油蓋 Cover -----	1
8	2210001311	孔塞 Plug -----	1
9	2210001310	油線 Oil Tube -----	1
10	8MM04284007B	螺絲 Screw (CT1310 M4-0.7*40) -----	4
11	2200001311	封蓋 Oil Filter Cover -----	1
12	8MB04281207K	螺絲 Screw (CT0239 M4-0.7*12) -----	3
13	2200001313	O 形油環 O Ring -----	1
14	2100001521	過濾器 Oil Filter -----	1
15	2200001315	過濾器接頭 Oil Filter Joint -----	1
16	2200001316	扣簧 Filter Screen Clamp -----	1
17	2200001317	網板 Filter Screen -----	1
18	2200001318	羊毛氈 Felt -----	1
19	66692	油管 Oil Tube -----	1
20	8MN04280400A	螺絲 Screw(CT0229 M4-0.7*4) -----	3
21	2210001354	防油蓋 Cover -----	1
22	66790	油管 Oil Tube -----	1
23	2100001536	夾簧 Latch Spring -----	12
24	2220001324	壓出泵 Rotor Case -----	1
25	2220001325	單向閥 One Way Valve -----	1
26	66790	油管 Oil Tube -----	1
27	2200001327	油管接頭 Oil Tube Joint -----	1
28	66790	油管 Oil Tube -----	1
29	2100001535	油管接頭 Oil Tube Joint -----	4
30	2200001330	噴油嘴 Nozzle -----	1
31	2220001331	銷 Pin -----	1
32	66790	油管 Oil Tube -----	2
33	22000013331	油管 Oil Tube -----	1
34	66790	油管 Oil Tube -----	1
35	8MB04280807K	螺絲 Screw (CT0215 M4-0.7*8) -----	1
36	2100001533	螺樁 Stud -----	3
37	2100001534	墊圈 Washer -----	11
38	2200001338	螺樁 Stud -----	1
39	2220001339	止回閥座 Bracket -----	1
40	2220001340	油嘴 Oil Tube Joint -----	1
41	2200001341	螺母 Worm Gear -----	1
42	8MA06400510A	螺帽 Nut (CT0533 M6-1*5) -----	1
43	8MM06402010A	螺絲 Screw (SH04-44 M6-1*20) -----	2
44	2200001344	油管 Oil Tube -----	1
45	2220001345	油管 Oil Tube -----	1
46	22200013461	噴油嘴 Nozzle -----	1
47	2220001347	隔板 Separate -----	1
48	2220001348	油管支持臂 Oil Tube Holder -----	1
49	2220001349	鋼珠 Steel ball -----	1
50	8MN06400500A	螺絲 Screw (CT0513 M6-1*5) -----	1

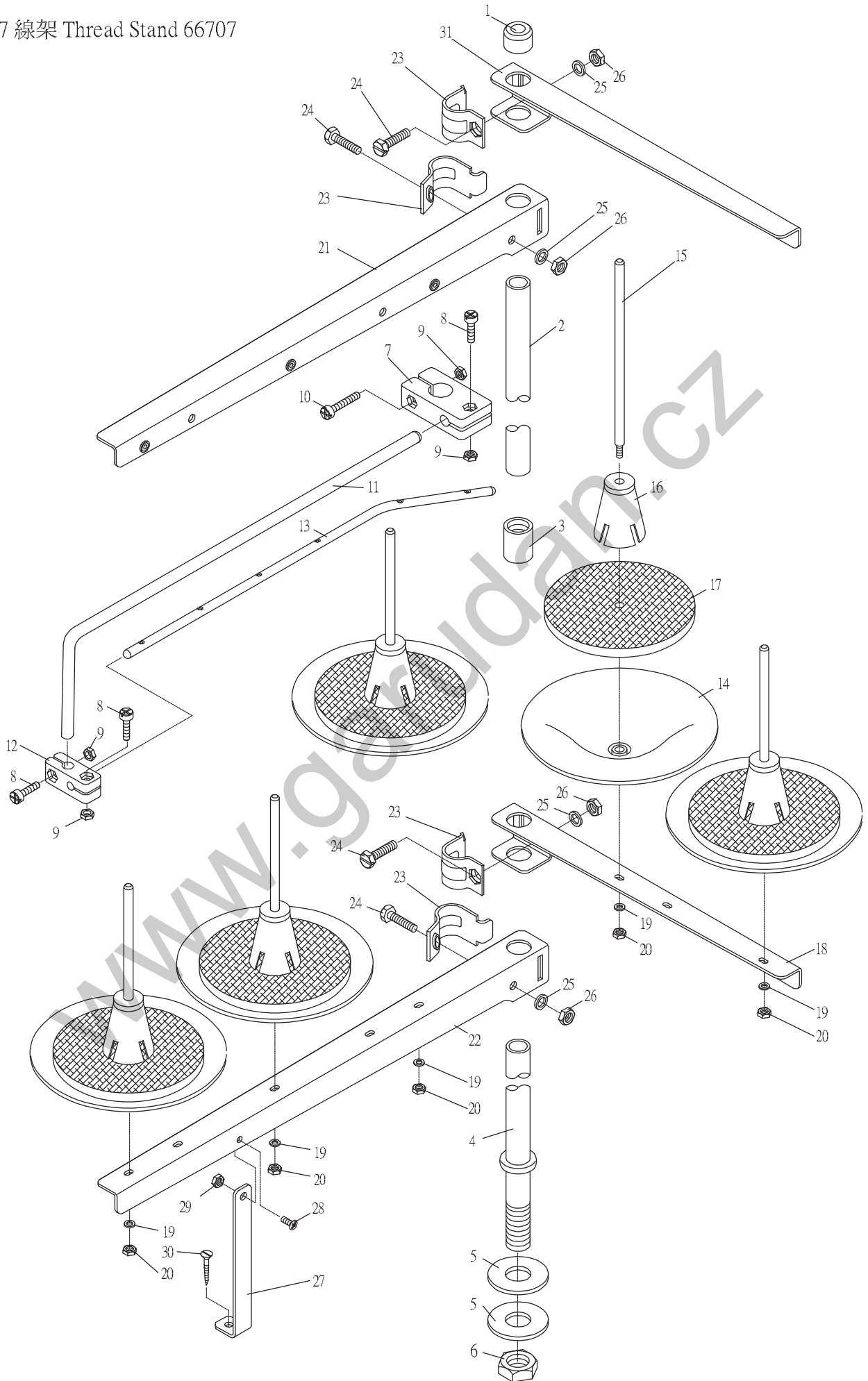
13. CTD9000 潤滑系統 Lubrication System For CTD9000



13. CTD9000 潤滑系統 Lubrication System For CTD9000

序號 Ref.No.	圖號 Parts No.	名稱 Description	單位用量 Amt .Req.
51	8MB03200506K	螺絲 Screw (CT0525 M3-0.5*5)	2
52	-----	-----	-
53	2220001353	回收泵 Pump Body	1
54	2200001354	外轉子 Outside Rotor	2
55	2200001355	內轉子 Inside Rotor	2
56	2200001356	壓出泵 Rotor Case	1
57	2220001357	軸 Shaft	1
58	2200001358	封蓋 Cover	1
59	8MC04280807D	螺絲 Screw (CT0130 M4-0.7*8)	3
60	8MB04280608A	螺絲 Screw (UTB0130 M4-0.7*6)	1
61	8MA06400510A	螺帽 Nut (CT0533 M6-1*5)	1
62	90OR030	油環 Oil Rin	1
63	8MC04280507D	螺絲 Screw (CT0122 M4-0.7*5)	4
64	8MA85240306B	螺帽 Nut (FT020112 M3.5-0.6*2.8)	1
65	2200001365	油管 Oil Tube	1
66	2220001366	內轉子 Inside Rotor	1
67	2220001367	外轉子 Outside Rotor	1
68	2220001368	油網 Oil Mesh	1
69	2220001369	夾簧 Latch Spring	1
70	8MB03201006A	螺絲 Screw (CT1204 M3-0.5*10)	1
71	8MA03200306A	螺帽 Nut(FTB0111 M3-0.5*3)	1
72	2220001372	羊毛氈 Felt	1
73	66792	油管 Oil Tube	1
74	2220001374	油嘴 Nozzle	2
75	227A0001375	泵組 Pump Asm	1
76	2270001377	彈簧 Spring	1
77	2270001378	彈簧 Spring	1

66707 線架 Thread Stand 66707



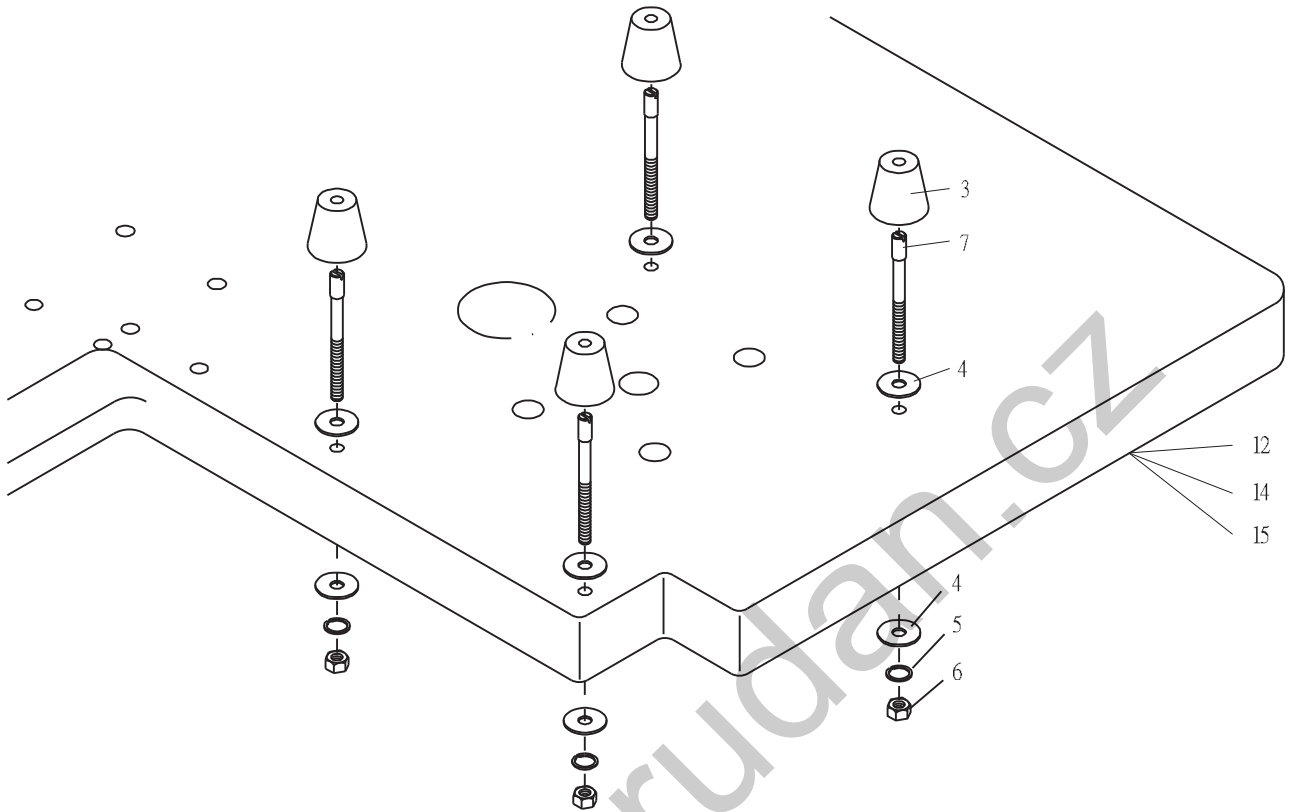
14. 66707 線架 Thread Stand 66707

序號	物料編號	名稱	單位用量
Ref. No.	Parts Number	Description	Amt.Req.
1	667051	柱帽 Rod Cup -----	1
2	667052	上柱 Upper Thread Stand Rod -----	1
3	667053	接頭 Joint -----	1
4	667054	下柱 Lower Thread Stand Rod -----	1
5	667055	墊圈 Washer -----	2
6	667056	螺帽 Nut -----	1
7	667057	接頭 Bracket -----	1
8	667058	螺絲 Screw -----	3
9	667059	螺帽 Nut -----	4
10	6670510	螺絲 Screw -----	1
11	6670511	旋臂 Arm -----	1
12	6670512	接頭 Bracket -----	1
13	6670513	導線桿 Thread Guide -----	1
14	6670514	線盤 Spool Set for SH6005 -----	5
15	6670515	線盤軸 Spool Pin -----	5
16	6670516	定心錐 Spool Retaining Fig -----	5
17	6670517	緩衝墊 Seat -----	5
18	667061	線盤座 Spool Set Bracket -----	1
19	6670519	彈簧墊圈 Spring Washer -----	5
20	6670520	螺帽 Nut -----	5
21	6670521	導線臂 Thread Guide -----	1
22	6670522	線盤座 Spool Set Bracket -----	1
23	6670523	夾板 Clamp -----	4
24	6670524	螺絲 Screw -----	4
25	6670525	彈簧墊圈 Spring Washer -----	4
26	6670526	螺帽 Nut -----	4
27	6670527	撐桿 Support Rod -----	1
28	6670528	螺絲 Screw -----	1
29	6670529	螺帽 Nut -----	1
30	6670530	木螺絲 Wood Screw -----	1
31	6670531	導線 Thread Guide -----	1

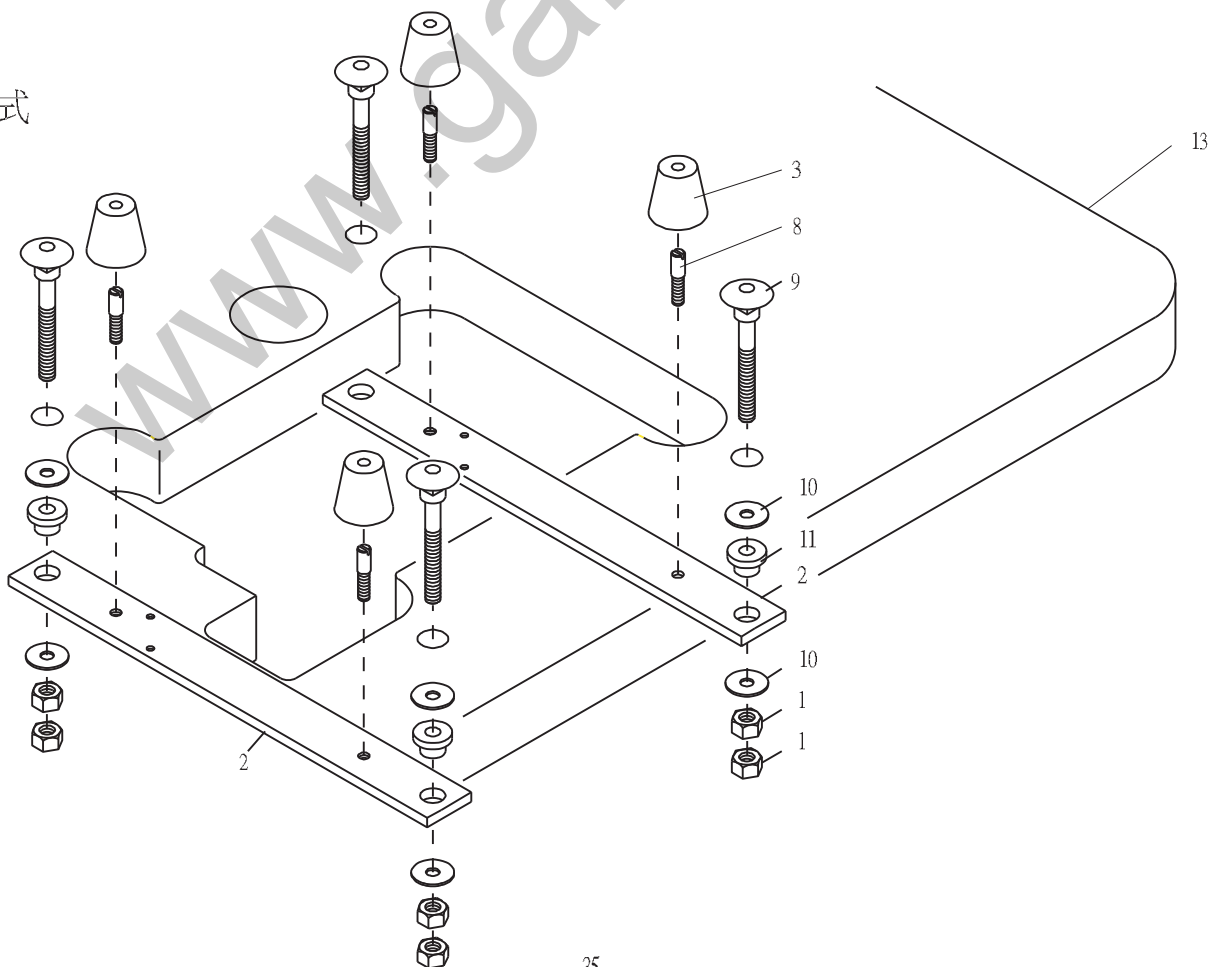
www.garudan.com

15. CTD9000 / CTU9011 / CXD2000 裝載附件 Supporting Board

上載式



半沉式

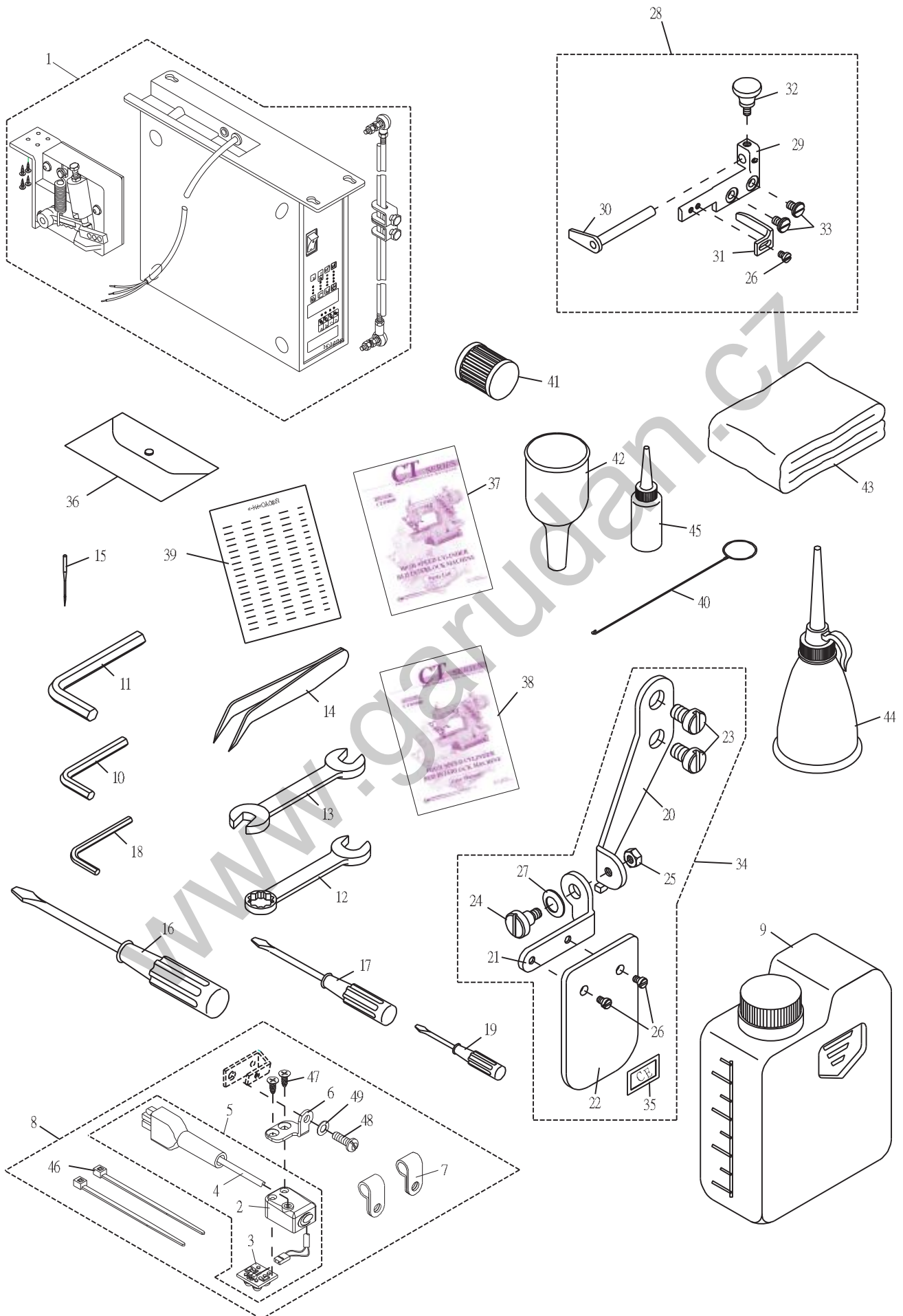


15. CTD9000 /CTU9011 /CXD2000 裝載附件 Supporting Board

序號 Ref.No.	圖號 Parts No.	名稱 Description	單位用量 Amt .Req.
1	8SA79180613A	螺帽 Nut (CT1514 5/16"-18*6) -----	8
2	2200001512	車頭承板 Supporting Board -----	2
3	66943	減震橡膠 Rubber Cushion -----	4
4	2200001504	墊圈 Washer -----	8
5	90SW070	彈簧墊圈 Spring Wahsher -----	4
6	8MA06400612A	螺帽 Nut (SH0242 M6-1*6) -----	4
7	8MB06406507B	螺椿 Bolt (CT1507 M6-1*65) -----	4
8	8MB06401607M	螺椿 Stud (CT1503 M6-1*16) -----	4
9	8SC79187827B	懸吊螺椿 Bolt -----	4
10	2200001510	墊圈 Washer -----	8
11	2200001511	橡膠環 Rubber Washer -----	4
12	66811-9	CTD9000/CTD9085/CTD9311/CTD9611 上載式開口型車板 Open-cut Table Top Type -----	-
13	66811-10	CTD9000 半沉式車板 Semi-submerged Type -----	-
14	66811-13	CTD9000 /CTD9611 上載式車板 Standard Table Top Type -----	-
15	66811-15	CTD9042 上載式開口型車板 Open-cut Table Top Type -----	-

www.garudan.cz

16. CTD9000 / CXD2000 工具及附件 Accessories For CTD9000 / CXD2000



16. CTD9000 / CXD2000 工具及附件Accesseries For CTD9000 / CXD2000

序號 Ref.No.	圖號 Parts No.	名稱 Description	單位用量 Amt .Req.
*1	-----	控制箱組 Control Box Asm. -----	1
2	2240001602	燈座 Light holder bracket -----	1
3	2240001603	燈 LED light -----	1
4	2240001604	電源線 Power connector -----	1
**5	224A0001605	燈組 Light Asm. -----	1
6	2240001606	支架 Holder Bracket -----	1
7	4UTD000254	線夾 Cord Clamp -----	2
8	/TL001	燈組 Light Asm. -----	1
9	66715	油罐 Oil Container -----	1
10	66636	六角扳手 Spanner 3MM -----	1
11	66637	六角扳手 Spanner 4MM -----	1
12	66612	梅花扳手 Wrench 10MM -----	1
13	66613	開口扳手 Wrench 7/8MM -----	1
14	66690	鑷子 Tweezer -----	1
15	66725-11-5	備用針 Retainer Needle -----	5
16	66665	長起子 Screw Driver (Large) -----	1
17	66666	中起子 Screw Driver (Medium) -----	1
18	66639	六角板手 Spanner 1.5MM -----	1
19	66667	小起子 Screw Driver (Small) -----	1
20	2200001620	護目鏡座 Safety Plate Support -----	1
21	2200001621	護目鏡架 Safety Plate Holder -----	1
22	2200001622	護目鏡 Safety Plate -----	1
23	8MC06401008E	螺絲 Screw (CT0832 M6-1*9.5) -----	2
24	8SB36400810E	螺絲 Screw (CT1624 9/64"-40*8) -----	1
25	8SA36400406A	螺帽 Nut -----	1
26	8MB03200405A	螺絲 Screw (FT0548 M3-0.5*4) -----	3
27	2200000228	墊圈 Washer -----	1
28	/EG005	導模組 Fabric Guide Asm. -----	1
29	4EG0050101	擋塊 Plate -----	1
30	4EG0050102	導模 Fabric Guide -----	1
31	4EG0050103	導模 Fabric Guide -----	1
32	2207111701	螺椿 Stud -----	1
33	8MB04280608A	螺絲 Screw (UTB0130 M4-0.7*6) -----	2
34	220A0001632	護目鏡組 Safety Plate Asm. -----	1
35	66451	貼紙 Paster -----	1
36	66831	工具袋 Bag -----	1
37	6CT6300-1M-06-01	零件冊 Parts List -----	1
38	6CT62M0-4-07-10	使用說明書 Instruction Manual -----	1
39	66200	品質保證書 Guarautee -----	1
40	66840	穿線鋼絲 Threading Bar -----	1
41	2100001521	過濾器 Oil Filter -----	1
42	66720	漏斗 Oil Funnel -----	1
43	66846	防塵罩 Mechine Cover -----	1
44	66721	油壺 Oiler -----	1
45	66722	矽油 Silicon Oil -----	1
46	4UTB020306	束線 Plastic Binding Wire -----	2
47	8TE03440806A	螺絲 Screw -----	2
48	8MB04281007K	螺絲 Screw (CT1237 M4-0.7*10) -----	1
49	90DW040	碟形墊圈 Disk Washer -----	1

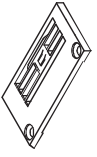
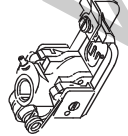
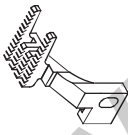
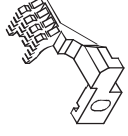
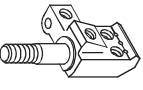
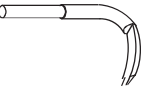

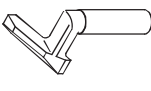
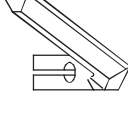






















* 控制箱種類依馬達及電、氣切線裝置購買

** 需整組購買 Must be sold in complete set

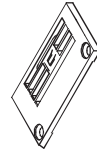
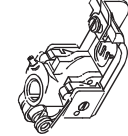
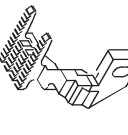
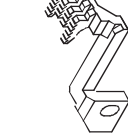
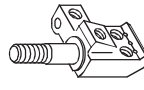


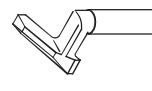
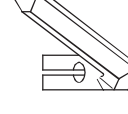




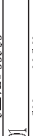



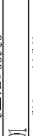



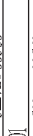



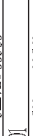
機型	項次	37	38
		零件冊	使用說明書
CTD9000		6CT6300-1M-06-01	6CT62M0-4-07-10
CXD2000		6CXD630A-2-12-06	6CXD620A-2-12-06

CTD9000 GAUGE PARTS LIST

CTD9000-0-0-□□□□M
CTD9000-0-□□□□M

Main Parts 更換 零件 針 型 距 m.m	 Throat plate 針板	 Presser foot asm 壓腳	 Main feed dog 主送布齒	 Diff feed dog 副送布齒	 Needle clamp 針留	 Upper looper 上結線鉤	 Lower looper 下結線鉤	 Needle guide 前導針	 Needle guide 後導針	 Needle 針
2	4.0	522TP00401	522PF00404	 522FD00563  522DG0016  522DG0016	 522FD00560  522DG0016	522NC00400	522SL00560	522NG00560	UY128GAS #11	
2	4.8	522TP00484	522PF00484	 522FD00563  522DG0016	 522FD00560  522DG0016	522NC00480	522SL00560	522NG00562		
3	4.8	522TP00484	522PF00485	 522FD00563  522DG0016	 522FD00560  522DG0016	522NC00485	522SL00560	522NG00563		
3	5.6	522TP00564	522PF00564	 522FD00563  522DG0016	 522FD00560  522DG0016	5227NC00560	522SL00560	522NG00563		
3	6.4	522TP00642	522PF00644	 522FD00563  522DG0017	 522FD00560  522DG0017	5227NC00640	522SL00560	522NG00563		

CTD9000-0-0-□□□□M/C/S002
CTD9000-0-□□□□M/C/S002

Main Parts 更換 零件 針 型 距 m.m	 Throat plate 針板	 Presser foot asm 壓腳	 Main feed dog 主送布齒	 Diff feed dog 副送布齒	 Needle clamp 針留	 Upper looper 上結線鉤	 Lower looper 下結線鉤	 Needle guide 前導針	 Needle guide 後導針	 Needle 針
2	4.0	522TP00401	522PF00404	 522FD00560  522DG0001	 522FD00560  522DG0001	522NC00400	522SL00560	522NG00562	UY128GAS #11	
2	4.8	522TP00484	522PF00484	 522FD00560  522DG0001	 522FD00560  522DG0001	522NC00480	522SL00560	522NG00563		
3	4.8	522TP00484	522PF00485	 522FD00560  522DG0001	 522FD00560  522DG0001	522NC00485	522SL00560	522NG00563		
3	5.6	522TP00564	522PF00564	 522FD00560  522DG0001	 522FD00560  522DG0001	5227NC00560	522SL00560	522NG00563		

CTD9000 GAUGE PARTS LIST

CTD9000-0-0□□□□H
CTD9000-0-□□□□□H

Main Parts 更換 零件	機 型	針 距 m.m	Throat plate 針板	Presser foot asm 壓腳	Main feed dog 主送布齒	Diff feed dog 副送布齒	Needle clamp 針留	Upper looper 上結線鉤	Lower looper 下結線鉤	Needle guide 前導針	Needle guide 後導針	Needle 針	Models
	2	4.0	5222TP00400	5220PF00404	5220FD00563 5220DG0016	5220FR00560 5220FC0016	5220NC00400 5220NC00480	5220SL00560	5220LL00560	5220NG00563	5220NG00562	UY128GAS #14	
	2	4.8	5222TP00480	5220PF00484	5220FD00563 5220DG0016	5220FR00560 5220FC0016	5220NC00480 5220NC00485						
	3	4.8	5222TP00480	5220PF00485	5220FD00563 5220DG0016	5220FR00560 5220FC0016	5220NC00485 5227NC00560						
	3	5.6	5220TP00566	5220PF00564	5220FD00563 5220DG0016	5220FR00560 5220FC0016	5227NC00560						
	3	6.4	5220TP00644	5220PF00644	5220FD00563 5220DG0017	5220FR00560 5220FC0017	5227NC00640						

CTD9000-0-0□□□□H/CS002
CTD9000-0-□□□□□H/CS002

Main Parts 更換 零件	機 型	針 距 m.m	Throat plate 針板	Presser foot asm 壓腳	Main feed dog 主送布齒	Diff feed dog 副送布齒	Needle clamp 針留	Upper looper 上結線鉤	Lower looper 下結線鉤	Needle guide 前導針	Needle guide 後導針	Needle 針	Models
	2	4.0	5222TP00400	5220PF00404	5220FD00560 5220DG0001	5220FR00560 5220FC0001	5220NC00400 5220NC00480	5220SL00560	5220LL00560	5220NG00563	5220NG00562	UY128GAS #14	
	2	4.8	5222TP00480	5220PF00484	5220FD00560 5220DG0001	5220FR00560 5220FC0001	5220NC00480 5220NC00485						
	3	4.8	5222TP00480	5220PF00485	5220FD00560 5220DG0001	5220FR00560 5220FC0001	5227NC00560						
	3	5.6	5220TP00566	5220PF00564	5220FD00560 5220DG0001	5220FR00560 5220FC0001	5227NC00560						

CTD9000 GAUGE PARTS LIST

CTD9000-0-0-□□□□W
CTD9000-0-□□□□□W

Main Parts 更換 零件	Throat plate 針板	Presser foot asm 壓腳	Main feed dog 主送布齒	Diff feed dog 副送布齒	Needle clamp 針留	Upper looper 上結線鉤	Lower looper 下結線鉤	Needle guide 前導針	Needle guide 後導針	Needle 針	Models	距 mm
3	5220TP00568	5220PP00564	5220FD00563 5220DF0016 5220DF0064	5220FR00560 5220FR0064	5227NC00560 5227NC00640	5220SL00560	5220LL00560	5220NG00563	5220NG00562	UY128GAS #11	3	5.6
3	5220TP00646	5220PP00644	5220FD00563 5220DF0016 5220DF0064	5220FR00560 5220FR0064	5227NC00560 5227NC00640	5220SL00560	5220LL00560	5220NG00563	5220NG00562	UY128GAS #11	3	6.4

CTD9000-0-0-□□□□W/CS002
CTD9000-0-□□□□□W/CS002

Main Parts 更換 零件	Throat plate 針板	Presser foot asm 壓腳	Main feed dog 主送布齒	Diff feed dog 副送布齒	Needle clamp 針留	Upper looper 上結線鉤	Lower looper 下結線鉤	Needle guide 前導針	Needle guide 後導針	Needle 針	Models	距 mm
3	5220TP00568	5220PP00564	5220FD00560 5220DF0016 5220DF0064	5220FR00560 5220FR0064	5227NC00560 5227NC00640	5220SL00560	5220LL00560	5220NG00563	5220NG00562	UY128GAS #11	3	5.6

CTD9000 GAUGE PARTS LIST

CTD9000-0-0-□□□□S
CTD9000-0-□□□□S

Main Parts 更換零件	Throat plate 針板	Stitch Throat plate 針板舌	Presser foot asm 壓腳	Main feed dog 主送布齒	Diff feed dog 副送布齒	Aux feed dog 輔助送布齒	Needle clamp 針留	Upper looper 上結線鉤	Lower looper 下結線鉤	Needle guide 前導針	Needle guide 後導針	Needle 針	機型		
													針距 mm	Models	
2	522TR056B	522TPL140A	522JPF00404	522JFD00560	522JDR00560	522JAR00560	522JNC00400	522JSL00560	522JLL00560	522JNG00563	522JNG00562	UY128GAS # 11		2	4.0
	522TR056B	522TPL148A													
2	522TR056B	522TPL148A	522JPF00484	522JFD00560	522JDR00560	522JAR00560	522JNC00480	522JSL00560	522JLL00560	522JNG00563	522JNG00562	UY128GAS # 11		2	4.8
	522TR056B	522TPL148A													
3	522TR056B	522TPL148A	522JPF00485	522JFD00560	522JDR00560	522JAR00560	522JNC00485	522JSL00560	522JLL00560	522JNG00563	522JNG00562	UY128GAS # 11		3	4.8
	522TR056B	522TPL156A													
3	522TR056B	522TPL156A	522JPF00564	522JFD00560	522JDR00560	522JAR00560	522JNC00560	522JSL00560	522JLL00560	522JNG00563	522JNG00562	UY128GAS # 11		3	5.6
	522TR056B	522TPL164A													
3	522TR056B	522TPL164A	522JPF00644	522JFD00560	522JDR00560	522JAR00560	522JNC00640	522JSL00560	522JLL00560	522JNG00563	522JNG00562	UY128GAS # 11		3	6.4
	522TR056B	522TPL164A													

CTD9000-0-0-□□□□S1
CTD9000-0-□□□□S1

Main Parts 更換零件	Throat plate 針板	Stitch Throat plate 針板舌	Presser foot asm 壓腳	Main feed dog 主送布齒	Diff feed dog 副送布齒	Aux feed dog 輔助送布齒	Needle clamp 針留	Upper looper 上結線鉤	Lower looper 下結線鉤	Needle guide 前導針	Needle guide 後導針	Needle 針	機型		
													針距 mm	Models	
2	522TR056B	522TPL140C	522JPF00404	522JFD00560	522JDR00560	522JAR00560	522JNC00400	522JSL00560	522JLL00560	522JNG00563	522JNG00562	UY128GAS # 11		2	4.0
	522TR056B	522TPL148C													
2	522TR056B	522TPL148C	522JPF00484	522JFD00560	522JDR00560	522JAR00560	522JNC00480	522JSL00560	522JLL00560	522JNG00563	522JNG00562	UY128GAS # 11		2	4.8
	522TR056B	522TPL148C													
3	522TR056B	522TPL148C	522JPF00485	522JFD00560	522JDR00560	522JAR00560	522JNC00485	522JSL00560	522JLL00560	522JNG00563	522JNG00562	UY128GAS # 11		3	4.8
	522TR056B	522TPL156C													
3	522TR056B	522TPL156C	522JPF00564	522JFD00560	522JDR00560	522JAR00560	522JNC00560	522JSL00560	522JLL00560	522JNG00563	522JNG00562	UY128GAS # 11		3	5.6
	522TR056B	522TPL164C													
3	522TR056B	522TPL164C	522JPF00644	522JFD00560	522JDR00560	522JAR00560	522JNC00640	522JSL00560	522JLL00560	522JNG00563	522JNG00562	UY128GAS # 11		3	6.4
	522TR056B	522TPL164C													

CTD9000 GAUGE PARTS LIST

CTD9011-0-□□□M

Main Parts 更換零件	Throat plate 針板	Presser foot asm 壓腳	Main feed dog 主送布齒	Diff feed dog 副送布齒	Needle clamp 針留	Upper looper 上結線鉤	Lower looper 下結線鉤	Needle guide 前導針	Needle guide 後導針	Needle 針	Models	Distance mm
2	5222TP00401	5222PF11400	5222FD00563 5222DG0016	5222DF00560 5222DG0016	5220NC00400	5220SL00560	5220LL00560	5220NG00563	5220NG00562	UY128GAS #11	2	4.0
2	5220TP00484	5222PF11480	5222FD00563 5222DG0016	5222DF00560 5222DG0016	5220NC00480	5220SL00560	5220LL00560	5220NG00563	5220NG00562	UY128GAS #11	2	4.8
3	5220TP00564	5222PF11560	5222FD00563 5222DG0016	5222DF00560 5222DG0016	5227NC00560	5220SL00560	5220LL00560	5220NG00563	5220NG00562	UY128GAS #11	3	5.6
3	5220TP00642	5222PF11640	5222FD00563 5222DG0017	5222DF00560 5222DG0017	5227NC00640	5220SL00560	5220LL00560	5220NG00563	5220NG00562	UY128GAS #11	3	6.4

CTD9011-0-□□□M/C/S002

Main Parts 更換零件	Throat plate 針板	Presser foot asm 壓腳	Main feed dog 主送布齒	Diff feed dog 副送布齒	Needle clamp 針留	Upper looper 上結線鉤	Lower looper 下結線鉤	Needle guide 前導針	Needle guide 後導針	Needle 針	Models	Distance mm
2	5222TP00401	5222PF11400	5222FD00560 5222DG0001	5222DF00560 5222DG0001	5220NC00400	5220SL00560	5220LL00560	5220NG00563	5220NG00562	UY128GAS #11	2	4.0
2	5220TP00484	5222PF11480	5222FD00560 5222DG0001	5222DF00560 5222DG0001	5220NC00480	5220SL00560	5220LL00560	5220NG00563	5220NG00562	UY128GAS #11	2	4.8
3	5220TP00564	5222PF11560	5222FD00560 5222DG0001	5222DF00560 5222DG0001	5227NC00560	5220SL00560	5220LL00560	5220NG00563	5220NG00562	UY128GAS #11	3	5.6

CTD9000 GAUGE PARTS LIST

CTD9013-0-□□□M

Main Parts 更換 零件	Throat plate 針板	Presser foot asm 壓腳	Main feed dog 主送布齒	Diff feed dog 副送布齒	Aux feed dog 輔助送布齒	Needle clamp 針留	Upper looper 上結線鉤	Lower looper 下結線鉤	Needle guide 前導針	Needle guide 後導針	Needle 針	Models	mm
2	5222TP13403	5220PF00404	5220FDX0563 5220CX0001	5220DF13563 5220CX0001	5220AF13560	5220NC00400	5220SL00560	5220LL00560	5220NG00563	5220NG00562	UY128GAS #11	2	4.0
2	5222TP13483	5220PF00484	5220FDX0563 5220CX0001	5220DF13563 5220CX0001	5220AF13560	5220NC00480	5220SL00560	5220LL00560	5220NG00563	5220NG00562	UY128GAS #11	2	4.8
3	5222TP13483	5220PF00485	5220FDX0563 5220CX0001	5220DF13563 5220CX0001	5220AF13560	5220NC00485	5220SL00560	5220LL00560	5220NG00563	5220NG00562	UY128GAS #11	3	4.8
3	5222TP13563	5220PF00564	5220FDX0563 5220CX0001	5220DF13563 5220CX0001	5220AF13560	5220NC00560	5220SL00560	5220LL00560	5220NG00563	5220NG00562	UY128GAS #11	3	5.6
3	5222TP13643	5220PF00644	5220FDX0643 5220CX0002	5220DF13643 5220CX0002	5220AF13640	5220NC00640	5220SL00560	5220LL00560	5220NG00563	5220NG00562	UY128GAS #11	3	6.4

CTD9013-1-□□□M

Main Parts 更換 零件	Throat plate 針板	Presser foot asm 壓腳	Main feed dog 主送布齒	Diff feed dog 副送布齒	Aux feed dog 輔助送布齒	Needle clamp 針留	Upper looper 上結線鉤	Lower looper 下結線鉤	Needle guide 前導針	Needle guide 後導針	Needle 針	Models	mm
2	5222TP13404	5220PF00404	5220FDX0563 5220CX0003	5220DF13563 5220CX0003	5220AF13561	5220NC00400	5220SL00560	5220LL00560	5220NG00563	5220NG00562	UY128GAS #11	2	4.0
2	5222TP13484	5220PF00484	5220FDX0563 5220CX0003	5220DF13563 5220CX0003	5220AF13561	5220NC00480	5220SL00560	5220LL00560	5220NG00563	5220NG00562	UY128GAS #11	2	4.8
3	5222TP13484	5220PF00485	5220FDX0563 5220CX0003	5220DF13563 5220CX0003	5220AF13561	5220NC00485	5220SL00560	5220LL00560	5220NG00563	5220NG00562	UY128GAS #11	3	5.6
3	5222TP13564	5220PF00564	5220FDX0563 5220CX0003	5220DF13563 5220CX0003	5220AF13561	5220NC00560	5220SL00560	5220LL00560	5220NG00563	5220NG00562	UY128GAS #11	3	6.4
3	5222TP13644	5220PF00644	5220FDX0643 5220CX0004	5220DF13643 5220CX0004	5220AF13561	5220NC00640	5220SL00560	5220LL00560	5220NG00563	5220NG00562	UY128GAS #11	3	6.4

CTD9000 GAUGE PARTS LIST

CTD9013-2-□□□M

Main Parts 更換 零件	Throat plate 針板	Presser foot asm 壓腳	Main feed dog 主送布齒	Diff feed dog 副送布齒	Aux feed dog 輔助送布齒	Needle clamp 針留	Upper looper 上結線鉤	Lower looper 下結線鉤	Needle guide 前導針	Needle guide 後導針	Needle 針	Models	m.m	針距
2	5222TP13402	5220PF0404	5220FD0563	5220DF0563 5220DG001	5220AF0560	5220NC00400	5220SL00560	5220LL00560	5220NG00563	5220NG00562	UY128GAS #11	2	4.0	
2	5222TP13482	5220PF0484	5220FD0563	5220DF0563 5220DG001	5220AF0560	5220NC00480						2	4.8	
3	5222TP13482	5220PF0485	5220FD0563	5220DF0563 5220DG001	5220AF0560	5220NC00485						3	4.8	
3	5222TP13562	5220PF0564	5220FD0563	5220DF0563 5220DG001	5220AF0560	5227NC00560						3	5.6	
3	5222TP13642	5220PF0644	5220FD0643	5220DF0643 5220DG002	5220AF0640	5227NC00640						3	6.4	

CTD9042-0-□□□M CTD9042-3-□□□M

CTD9042-1-□□□M CTD9042-5-□□□M

CTD9042-2-□□□M

Main Parts 更換 零件	Throat plate 針板	Presser foot asm 壓腳	Main feed dog 主送布齒	Diff feed dog 副送布齒	Needle clamp 針留	Upper looper 上結線鉤	Lower looper 下結線鉤	Needle guide 前導針	Needle guide 後導針	Needle 針	Models	m.m	針距
3	5220TP42562	5220PF42561	5220FD42562 5220DG011	5220DF42562 5220DG2562	5227NC00560 5227NC00640	5220SL00560	5220LL00560	5220NG00563	5220NG00562	UY128GAS #11	3	5.6	
3	5220TP42642	5220PF42641	5220FD42562 5220DG011	5220DF42562 5220DG2562	5227NC00640	5220SL00560	5220LL00560	5220NG00563	5220NG00562	UY128GAS #11	3	6.4	

CTD9000 GAUGE PARTS LIST

CTD9311-0-0-□□□□M
CTD9311-0-□□□□□□M

Main Parts 更換 零件 針 距 m.m	Throat plate 針板	Presser foot asm 壓腳	Main feed dog 主送布齒	Diff feed dog 副送布齒	Needle clamp 針留	Upper looper 上結線鉤	Lower looper 下結線鉤	Needle guide 前導針	Needle guide 後導針	Needle 針	Models
2	5222TPL1400	5222PFL1400	5220FDL1561 5220G0012	5220FDL1561	5220NC00400	5220SL00560	5220LL00560	5220NG00563	5220NG00562	UY128GAS # 11	2
2	5222TPL1480	5222PFL1480	5220FDL1561 5220G0012	5220FDL1561	5220NC00480	5220SL00560	5220LL00560	5220NG00563	5220NG00562	UY128GAS # 11	2
3	5222TPL1560	5222PFL1560	5220FDL1561 5220G0012	5220FDL1561	5227NC00560	5220SL00560	5220LL00560	5220NG00563	5220NG00562	UY128GAS # 11	3
3	5222TPL1640	5222PFL1640	5220FDL1561 5220G0012	5220FDL1561	5227NC00640	5220SL00560	5220LL00560	5220NG00563	5220NG00562	UY128GAS # 11	3

CTD9311-0-0-□□□□M/C/S003
CTD9311-0-□□□□□□M/C/S003

Main Parts 更換 零件 針 距 m.m	Throat plate 針板	Presser foot asm 壓腳	Main feed dog 主送布齒	Diff feed dog 副送布齒	Needle clamp 針留	Upper looper 上結線鉤	Lower looper 下結線鉤	Needle guide 前導針	Needle guide 後導針	Needle 針	Models
2	5222TPL1400	5222PFL1400	5220FDL1560 5220G0003	5220FDL1560	5220NC00400	5220SL00560	5220LL00560	5220NG00563	5220NG00562	UY128GAS # 11	2
2	5222TPL1480	5222PFL1480	5220FDL1560 5220G0003	5220FDL1560	5220NC00480	5220SL00560	5220LL00560	5220NG00563	5220NG00562	UY128GAS # 11	2
3	5222TPL1560	5222PFL1560	5220FDL1560 5220G0003	5220FDL1560	5227NC00560	5220SL00560	5220LL00560	5220NG00563	5220NG00562	UY128GAS # 11	3
3	5222TPL1640	5222PFL1640	5220FDL1560 5220G0003	5220FDL1560	5227NC00640	5220SL00560	5220LL00560	5220NG00563	5220NG00562	UY128GAS # 11	3

CTD9311-0-0-□□□□ S
CTD9311-0-□□□□ S

CTD9000 GAUGE PARTS LIST

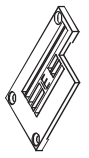

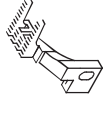
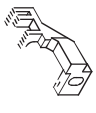
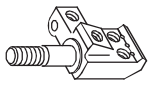
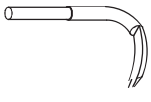

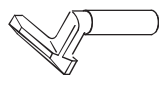
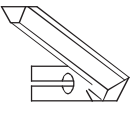
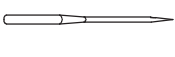
Main Parts 更換零件 機型 針距 Models	Throat plate 針板 m.m	Stitch throat plate 針板舌 m.m	Presser foot asm 壓腳	Main feed dog 主送布齒	Diff feed dog 副送布齒	Needle clamp 針留	Upper looper 上結線鉤	Lower looper 下結線鉤	Needle guide 前導針	Needle guide 後導針	Needle 針
2	4.0	5222TFL156B 5222TFL140Z	5222PFL1400	5222FDL1560 5222FDL1560	5222DC009 5222DHL1560	5220NC00400 5220NC00480	5220SL00560	5220LL00560	5220NG00563	5220NG00562	UY128GAS #11
3	4.8	5222TFL156B 5222TFL156Z	5222PFL1481	5222FDL1560 5222DC009	5222DHL1560 5222DHL1560	5220NC00485 5227NC00560	5220SL00560	5220LL00560	5220NG00563	5220NG00562	UY128GAS #11
3	6.4	5222TFL156B 5222TFL164Z	5222PFL1640	5222FDL1560 5222DC009	5222DHL1560 5222DHL1560	5227NC00640	5220SL00560	5220LL00560	5220NG00563	5220NG00562	UY128GAS #11

CTD9311-0-0-□□□□ S1
CTD9311-0-□□□□ S1

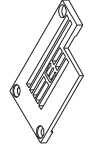

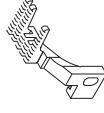
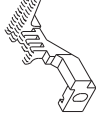
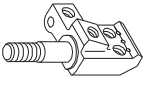
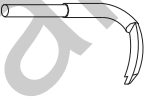
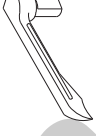
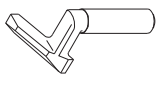
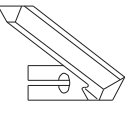
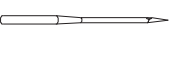
Main Parts 更換零件 機型 針距 Models	Throat plate 針板 m.m	Stitch throat plate 針板舌 m.m	Presser foot asm 壓腳	Main feed dog 主送布齒	Diff feed dog 副送布齒	Needle clamp 針留	Upper looper 上結線鉤	Lower looper 下結線鉤	Needle guide 前導針	Needle guide 後導針	Needle 針
2	4.0	5222TFL156B 5222TFL140Z	5222PFL1400	5222FDL1560 5222DC009	5222DHL1560 5222DHL1560	5220NC00400 5220NC00480	5220SL00560	5220LL00560	5220NG00563	5220NG00562	UY128GAS #11
3	4.8	5222TFL156B 5222TFL148Z	5222PFL1481	5222FDL1560 5222DC009	5222DHL1560 5222DHL1560	5220NC00485 5227NC00560	5220SL00560	5220LL00560	5220NG00563	5220NG00562	UY128GAS #11
3	5.6	5222TFL156B 5222TFL156Z	5222PFL1560	5222FDL1560 5222DC009	5222DHL1560 5222DHL1560	5227NC00560	5220SL00560	5220LL00560	5220NG00563	5220NG00562	UY128GAS #11
3	6.4	5222TFL156B 5222TFL164Z	5222PFL1640	5222FDL1560 5222DC009	5222DHL1560 5222DHL1560	5227NC00640	5220SL00560	5220LL00560	5220NG00563	5220NG00562	UY128GAS #11

CTD9000 GAUGE PARTS LIST

CTD9311-0-0-□□□□S2
CTD9311-0-□□□□□□S2

Main Parts 更換 零件	 Throat plate 針板	 Presser foot assem 壓腳	 Main feed dog 主送布齒	 Diff feed dog 副送布齒	 Needle clamp 針留	 Upper looper 上結線鉤	 Lower looper 下結線鉤	 Needle guide 前導針	 Needle guide 後導針	 Needle 針
3	5.6	5222TPL1564	5220PFL4561	522DFL1561 522DC004 522DFL1561	5227NC00560	5220SL00560	5220LL00560	5220NG00563	5220NG00562	UY128GAS #11
3	6.4	5222TPL1644	5220PFL4641	522DFL1561 522DC004 522DFL1561	5227NC00640					

CTD9311-0-0-□□□□H
CTD9311-0-□□□□□□H

Main Parts 更換 零件	 Throat plate 針板	 Presser foot assem 壓腳	 Main feed dog 主送布齒	 Diff feed dog 副送布齒	 Needle clamp 針留	 Upper looper 上結線鉤	 Lower looper 下結線鉤	 Needle guide 前導針	 Needle guide 後導針	 Needle 針
2	4.0	5222TPL1400	5222PFL1400	522DFL1561 522DC004 522DFL1561	5220NC00400	5220SL00560	5220LL00560	5220NG00563	5220NG00562	UY128GAS #11
2	4.8	5222TPL1480	5222PFL1480	522DFL1561 522DC004 522DFL1561	5220NC00480					
3	5.6	5222TPL1560	5222PFL1560	522DFL1561 522DC004 522DFL1561	5227NC00560					
3	6.4	5222TPL1640	5222PFL1640	522DFL1561 522DC004 522DFL1561	5227NC00640					

www.garudan.cz